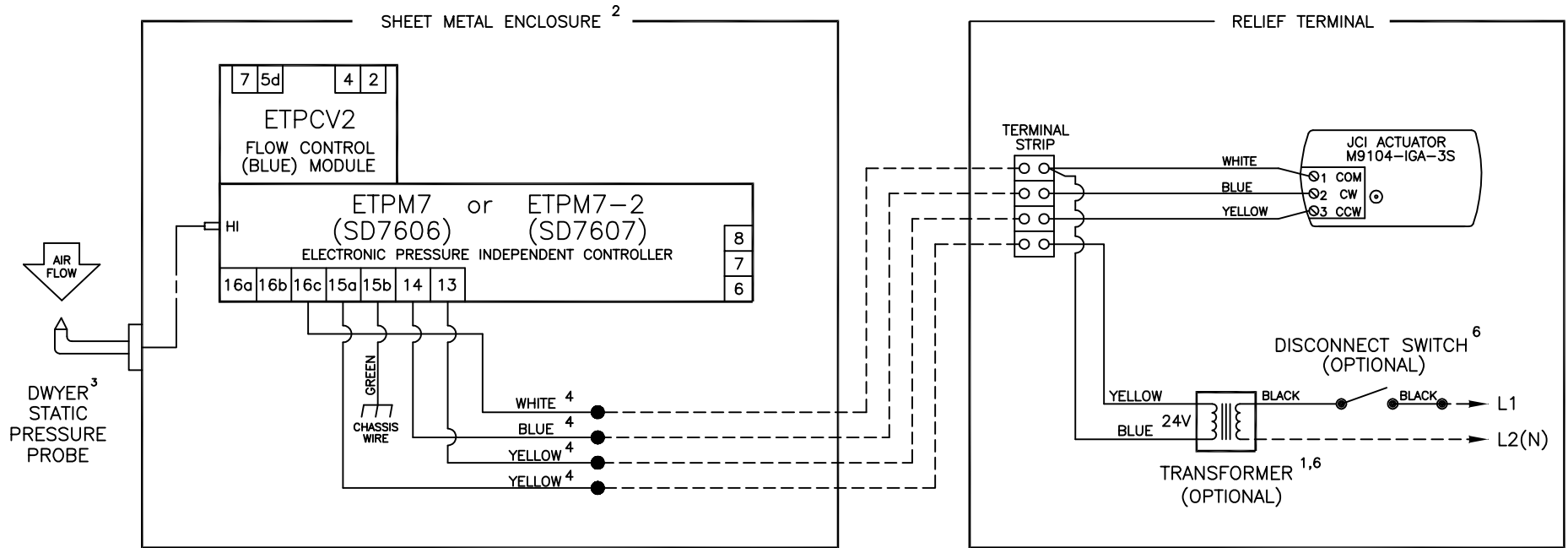


These applications provide static pressure control. The static pressure limit (field adjustable) is located on the controller. As static pressure in the main duct increases, the relief damper opens to bypass airflow to the return plenum, thus maintaining static pressure.



SD7606 CONTROLLER ASSY. MODEL: ETPXVC
SD7607 CONTROLLER ASSY. MODEL: ETPXV1

APPLICATION NUMBER	CONTROLLER MODEL	PRESSURE CONTROL RANGE
SD7606	ETPM7	0.1-1.0 INWG
SD7607	ETPM7-2	0.5-2.0 INWG

¹ MINIMUM 10 VA

² MOUNTED (BY OTHERS) AT LOCATION WHERE STATIC PRESSURE IS TO BE SENSED

³ PROPER LOCATION IS IMPORTANT AND OFTEN REQUIRES TRIAL AND ERROR PROBE CANNOT BE REMOTELY MOUNTED FROM CONTROLLER

⁴ WIRE NUT

⁵ ADJUST POTENTIOMETER LABELED "AUX" TO SET STATIC PRESSURE

⁶ SEE ORDER FOR OPTIONAL ITEM REQUIREMENTS

----- FACTORY TUBING
----- FIELD WIRING
----- FACTORY WIRING

TITLE:
SD7606/SD7607
PRESSURE INDEPENDENT ELECTRONIC CONTROLS

ENVIRO-TEC
BY JOHNSON CONTROLS

THIS DRAWING CONTAINS PROPRIETARY DATA. UNAUTHORIZED DISCLOSURE, REPRODUCTION, OR USE IS STRICTLY PROHIBITED WITHOUT WRITTEN PERMISSION.

DO NOT SCALE DRAWING. DIMENSIONS AND DATA ARE SUBJECT TO CHANGE WITHOUT NOTICE. CONTACT FACTORY FOR CERTIFIED DRAWINGS.

DRN BY: AWW	DATE: 11/20/97	SCALE: NA	DRAWING NO.
CKD BY: WAE	DATE: 04/09/08	REV: 13	19589