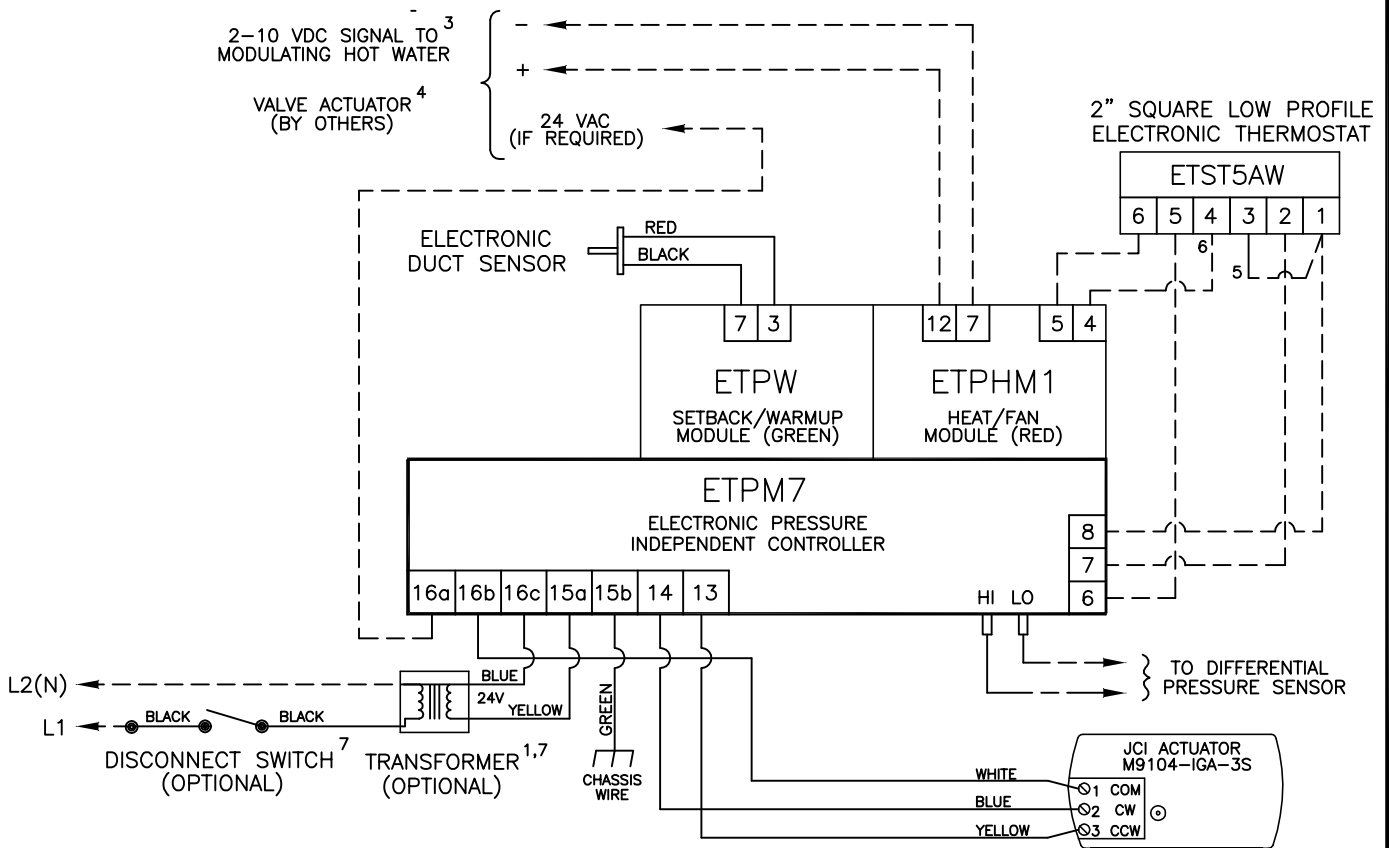
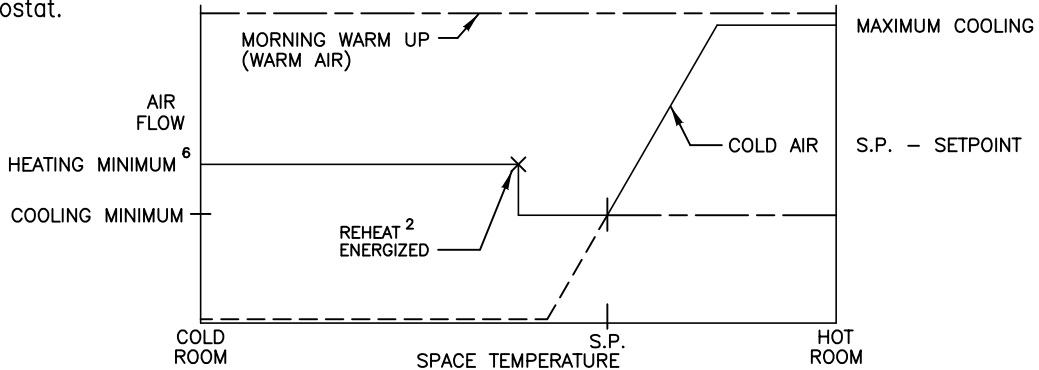


This application provides single duct variable air volume cooling with modulating hot water reheat, morning warm up, and dual minimum setpoints. As space temperature drops, airflow is reset from maximum to minimum setpoint. As space temperature continues to drop, airflow is reset to a higher setpoint and reheat is modulated to satisfy the load. Warm air is sensed by an electronic duct sensor causing the air valve to open to maximum airflow setpoint for morning warm up (reheat is disabled). Air volume limits are located at

the thermostat.



CONTROLLER ASSY. MODEL: ETPX1WDMP

- 1 MINIMUM 40 VA UP TO 30 VA AVAILABLE FOR HOT WATER VALVE ACTUATOR (BY OTHERS)
- 2 ENERGIZED 2° F BELOW SETPOINT FULL OPEN AT 5° F BELOW SETPOINT
- 3 CLOSED AT 10 VDC, OPEN AT 2 VDC. MAY ALSO BE USED WITH A 0-10 VDC INPUT VALVE ACTUATOR
- 4 SUPPLIED, MOUNTED AND WIRED BY OTHERS
- 5 WIRE TERMINAL 3 TO TERMINAL 1 IN THE FIELD
- 6 IF DUAL MINIMUMS ARE NOT DESIRED, WIRE FROM TERMINAL 4 OF ETST5AW TO TERMINAL 4 OF ETPH1 IS NOT REQUIRED
- 7 SEE ORDER FOR OPTIONAL ITEM REQUIREMENTS

- - - - - FACTORY TUBING
 - - - - - FIELD WIRING
 _____ FACTORY WIRING

SD7303		ENVIRO-TEC BY JOHNSON CONTROLS	
PRESSURE INDEPENDENT ELECTRONIC CONTROLS		DRN BY: AWW	DATE: 09/30/97
<small>THIS DRAWING CONTAINS PROPRIETARY DATA. UNAUTHORIZED DISCLOSURE, REPRODUCTION, OR USE IS STRICTLY PROHIBITED WITHOUT WRITTEN PERMISSION.</small>		SCALE: N/A	DRAWING NO. 19496
<small>DO NOT SCALE DRAWING. DIMENSIONS AND DATA ARE SUBJECT TO CHANGE WITHOUT NOTICE. CONTACT FACTORY FOR CERTIFIED DRAWINGS.</small>		OKD BY: WAE	DATE: 04/09/08
		REV: 10	