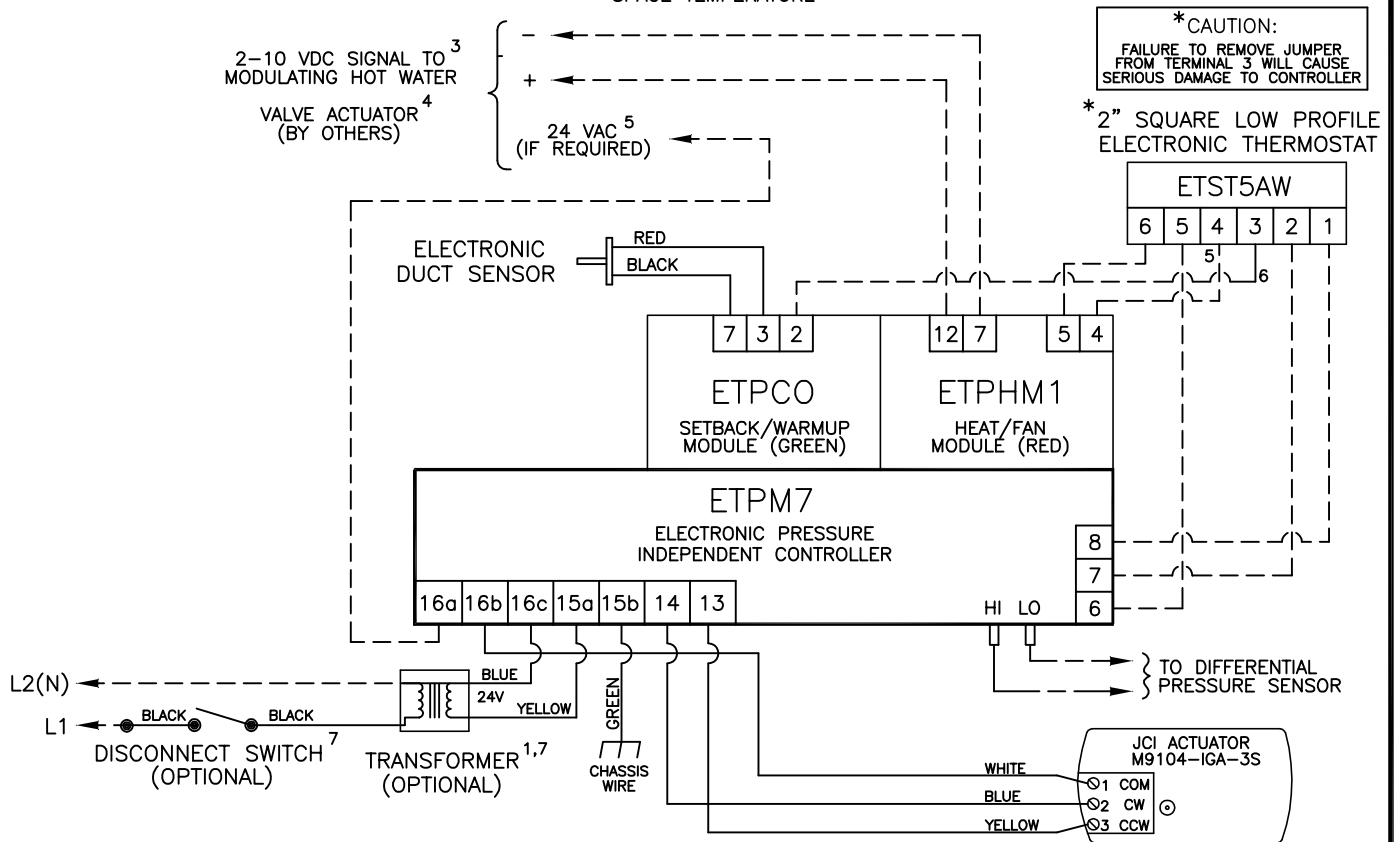
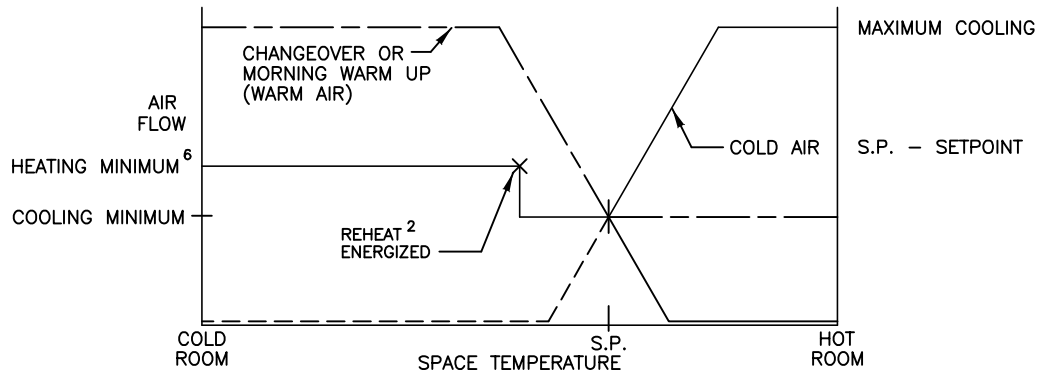


This application provides single duct variable air volume cooling with proportional modulating hot water reheat, summer/winter changeover and/or morning warm up, and dual minimum setpoints. As space temperature drops, airflow is reset from maximum to minimum setpoint. As space temperature continues to drop, airflow is reset to a higher setpoint and reheat is modulated to satisfy the load. Warm air is sensed by an electronic duct sensor causing the sequence to reverse for changeover or morning warm up (reheat is disabled). Air volume limits are located at the thermostat.



CONTROLLER ASSY. MODEL: ETPX1CDMP

- 1 MINIMUM 40 VA
UP TO 30 VA AVAILABLE FOR HOT
WATER VALVE ACTUATOR (BY OTHERS)
- 2 ENERGIZED 2° F BELOW SETPOINT
FULL OPEN AT 5° F BELOW SETPOINT
- 3 CLOSED AT 10 VDC, OPEN AT 2 VDC.
MAY ALSO BE USED WITH A 0-10 VDC
INPUT VALVE ACTUATOR

- 4 SUPPLIED, MOUNTED AND WIRED
BY OTHERS
- 5 IF DUAL MINIMUMS ARE NOT DESIRED,
WIRE FROM TERMINAL 4 OF ETST5AW TO
TERMINAL 4 OF ETPHM1 IS NOT REQUIRED
- 6 REMOVE JUMPER ON TERMINAL 3 BEFORE
INSTALLATION

- 7 SEE ORDER FOR
OPTIONAL ITEM
REQUIREMENTS

— — — — — FACTORY TUBING
- - - - - FIELD WIRING
————— FACTORY WIRING

SD7103		ENVIRO-TEC®	
PRESSURE INDEPENDENT ELECTRONIC CONTROLS		BY JOHNSON CONTROLS	
DRN BY: AWW	DATE: 05/12/97	SCALE: N/A	DRAWING NO.
OKD BY: WAE	DATE: 04/09/08	REV: 10	19323
THIS DRAWING CONTAINS PROPRIETARY DATA. UNAUTHORIZED DISCLOSURE, REPRODUCTION, OR USE IS STRICTLY PROHIBITED WITHOUT WRITTEN PERMISSION		DO NOT SCALE DRAWING DIMENSIONS AND DATA ARE SUBJECT TO CHANGE WITHOUT NOTICE. CONTACT FACTORY FOR CERTIFIED DRAWINGS.	