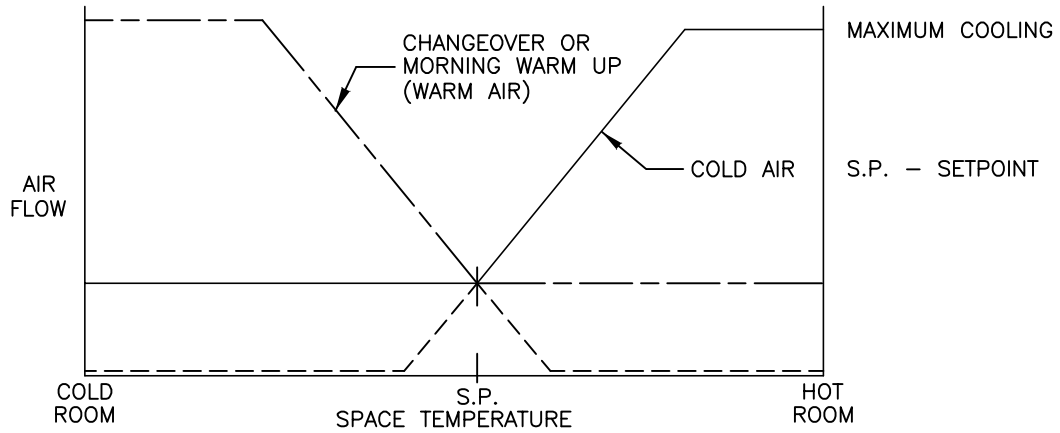
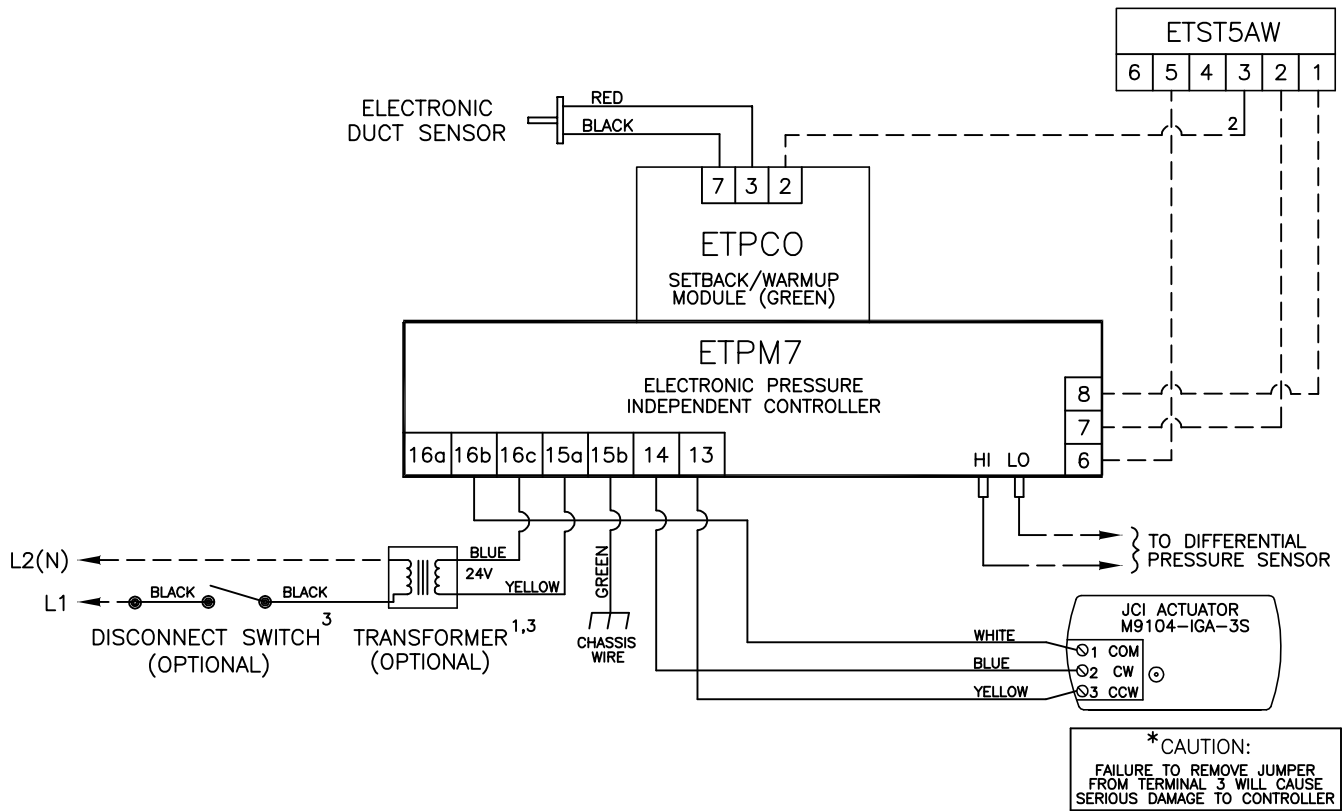


This application provides single duct variable air volume cooling with summer/winter changeover and/or morning warm up. As space temperature drops, airflow is reset from maximum to minimum setpoint. Warm air is sensed by an electronic duct sensor causing the sequence to reverse for changeover or morning warm up. Air volume limits are located at the thermostat.



\*2" SQUARE LOW PROFILE ELECTRONIC THERMOSTAT



CONTROLLER ASSY. MODEL: ETPXOCD

<sup>1</sup> MINIMUM 10 VA

<sup>2</sup> REMOVE JUMPER ON TERMINAL 3 BEFORE INSTALLATION

<sup>3</sup> SEE ORDER ACKNOWLEDGEMENT FOR OPTIONAL ITEM REQUIREMENTS

----- FACTORY TUBING  
 - - - - - FIELD WIRING  
 \_\_\_\_\_ FACTORY WIRING

TITLE:

**SD7100**

PRESSURE INDEPENDENT ELECTRONIC CONTROLS

**ENVIRO-TEC**  
 BY JOHNSON CONTROLS

|                |                   |               |             |
|----------------|-------------------|---------------|-------------|
| DRN BY:<br>AWW | DATE:<br>04/14/97 | SCALE:<br>N/A | DRAWING NO. |
| CKD BY:<br>WAE | DATE:<br>04/09/08 | REV:<br>10    | 19286       |

THIS DRAWING CONTAINS PROPRIETARY DATA. UNAUTHORIZED DISCLOSURE, REPRODUCTION, OR USE IS STRICTLY PROHIBITED WITHOUT WRITTEN PERMISSION

DO NOT SCALE DRAWING. DIMENSIONS AND DATA ARE SUBJECT TO CHANGE WITHOUT NOTICE. CONTACT FACTORY FOR CERTIFIED DRAWINGS.