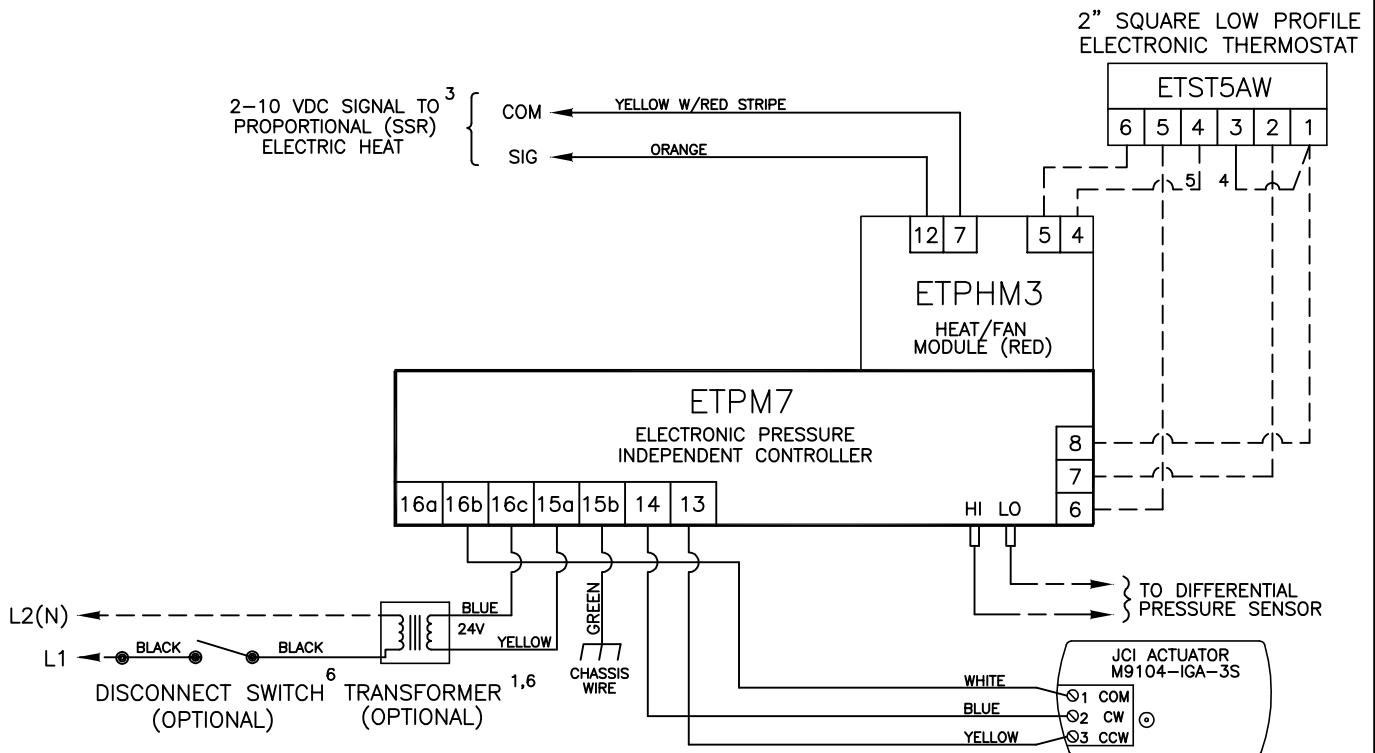
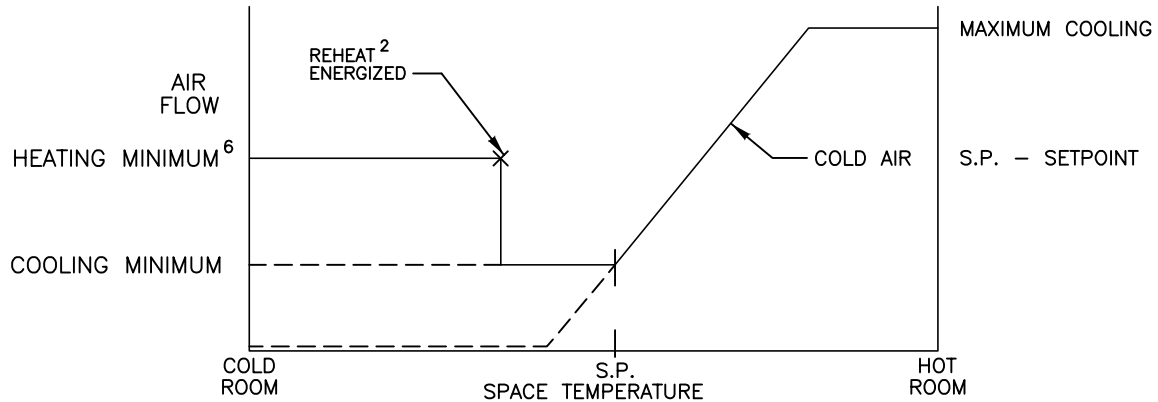


This application provides single duct variable air volume cooling with proportional modulating electric (SSR) reheat and dual minimum setpoints. As space temperature drops, airflow is reset from maximum to minimum setpoint. As space temperature continues to drop, airflow is reset to a higher setpoint and reheat is modulated to satisfy the load. Air volume limits are located at the thermostat.



CONTROLLER ASSY. MODEL: ETPX1HP

<sup>1</sup> MINIMUM 40 VA. TRANSFORMER IS LOCATED IN HEATER ENCLOSURE—REFER TO HEATER WIRING DIAGRAM

<sup>2</sup> ENERGIZED 2° F BELOW SETPOINT FULL ON AT 5° F BELOW SETPOINT

<sup>3</sup> OFF AT 2 VDC, FULL ON AT 10 VDC

<sup>4</sup> WIRE TERMINAL 3 TO TERMINAL 1 IN THE FIELD

<sup>5</sup> IF DUAL MINIMUMS ARE NOT DESIRED, WIRE FROM TERMINAL 4 OF ETST5AW TO TERMINAL 4 OF ETPHM3 IS NOT REQUIRED

<sup>6</sup> SEE ORDER ACKNOWLEDGEMENT FOR OPTIONAL ITEM REQUIREMENTS

--- FACTORY TUBING  
 - - - FIELD WIRING  
 \_\_\_\_\_ FACTORY WIRING

|  |                |   |                   |
|--|----------------|---|-------------------|
| TITLE: <b>SD7005</b>   |                |   |                   |
| PRESSURE INDEPENDENT ELECTRONIC CONTROLS   |                |   |                   |
| DRN BY: AWW  | DATE: 06/30/97 | SCALE: NA   | DRAWING NO. 19405 |
| OKD BY: WAE  | DATE: 04/09/08 | REV: 08   |                   |
| THIS DRAWING CONTAINS PROPRIETARY DATA. UNAUTHORIZED DISCLOSURE, REPRODUCTION, OR USE IS STRICTLY PROHIBITED WITHOUT WRITTEN PERMISSION. |                | DO NOT SCALE DRAWING. DIMENSIONS AND DATA ARE SUBJECT TO CHANGE WITHOUT NOTICE. CONTACT FACTORY FOR CERTIFIED DRAWINGS. |                   |