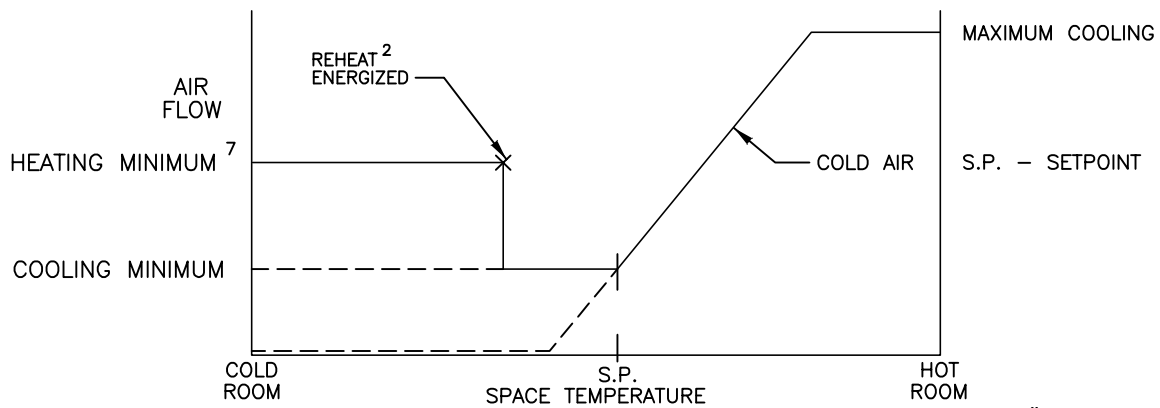
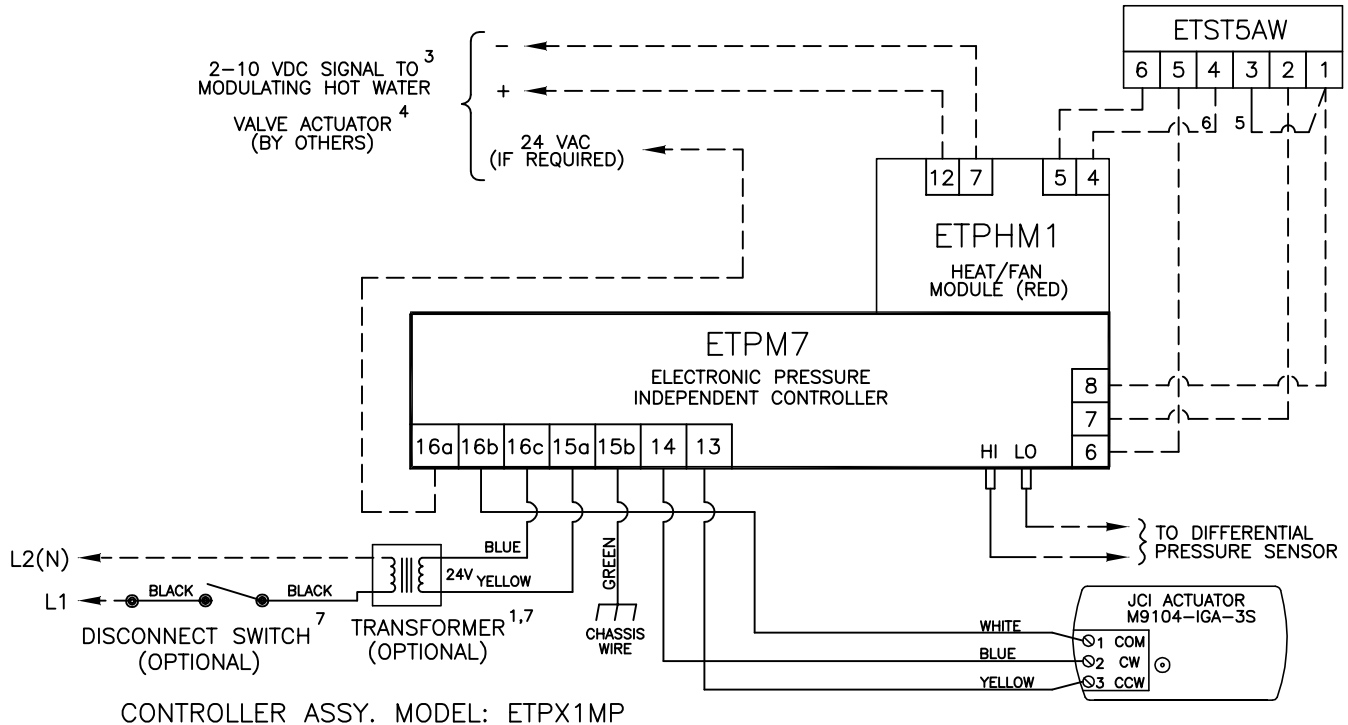


This application provides single duct variable air volume cooling with proportional modulating hot water reheat and dual minimum setpoints. As space temperature drops, airflow is reset from maximum to minimum setpoint. As space temperature continues to drop, airflow is reset to a higher setpoint and reheat is modulated to satisfy the load. Air volume limits are located at the thermostat.



2" SQUARE LOW PROFILE ELECTRONIC THERMOSTAT



CONTROLLER ASSY. MODEL: ETPX1MP

- 1 MINIMUM 40 VA  
UP TO 30 VA AVAILABLE FOR HOT  
WATER VALVE ACTUATOR (BY OTHERS)
- 2 ENERGIZED 2° F BELOW SETPOINT  
FULL OPEN AT 5° F BELOW SETPOINT
- 3 CLOSED AT 10 VDC, OPEN AT 2 VDC.  
MAY ALSO BE USED WITH A 0-10 VDC  
INPUT VALVE ACTUATOR
- 4 SUPPLIED, MOUNTED AND WIRED  
BY OTHERS

- 5 WIRE TERMINAL 3 TO TERMINAL 1  
IN THE FIELD
- 6 IF DUAL MINIMUMS ARE NOT DESIRED,  
WIRE FROM TERMINAL 4 OF ETST5AW TO  
TERMINAL 4 OF ETPHM1 IS NOT REQUIRED
- 7 SEE ORDER ACKNOWLEDGEMENT FOR  
OPTIONAL ITEM REQUIREMENTS

--- FACTORY TUBING  
 - - - FIELD WIRING  
 ——— FACTORY WIRING

TITLE: <b>SD7003</b>		 <b>BY JOHNSON CONTROLS</b>	
PRESSURE INDEPENDENT ELECTRONIC CONTROLS			
DRN BY: AWW	DATE: 05/12/97	SCALE: N/A	DRAWING NO.
OKD BY: WAE	DATE: 04/09/08	REV: 08	19285
THIS DRAWING CONTAINS PROPRIETARY DATA. UNAUTHORIZED DISCLOSURE, REPRODUCTION, OR USE IS STRICTLY PROHIBITED WITHOUT WRITTEN PERMISSION		DO NOT SCALE DRAWING DIMENSIONS AND DATA ARE SUBJECT TO CHANGE WITHOUT NOTICE. CONTACT FACTORY FOR CERTIFIED DRAWINGS.	