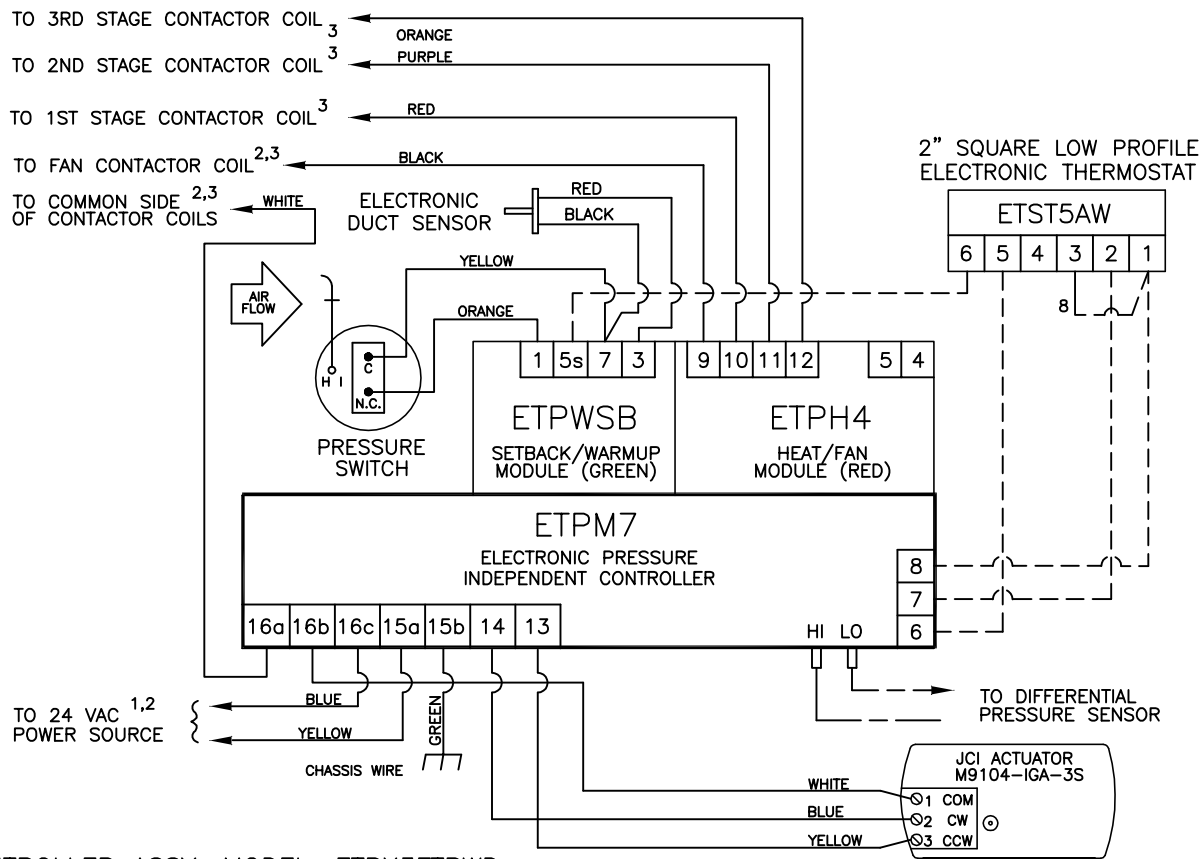
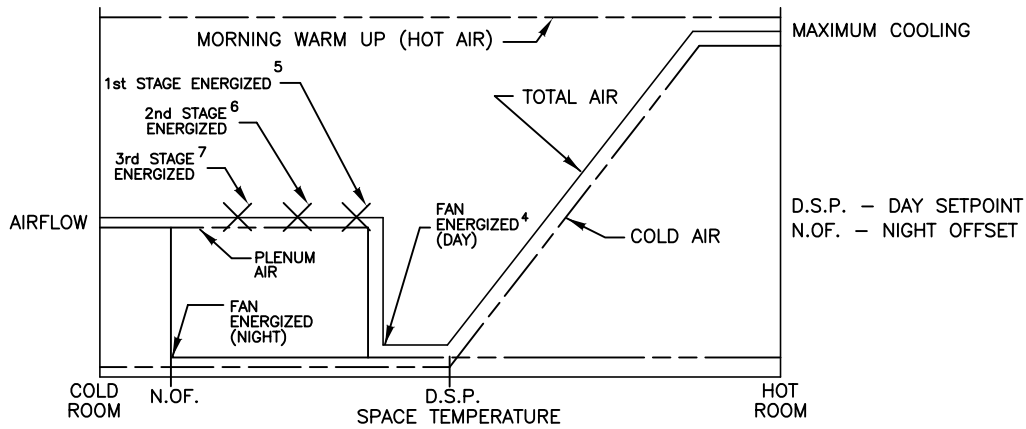


This application provides intermittent fan powered variable air volume control with three stages of electric heat, night setback and morning warm up. As space temperature drops, primary airflow is reset from maximum to minimum setpoint. As space temperature continues to drop, the unit fan is energized thus supplying plenum air to the space. On a further drop in space temperature, heat is energized in stages to satisfy the load. When system air is failed, the unit automatically switches into the night setback mode. The primary air valve remains closed and the unit fan and heat are cycled to maintain the night offset. When warm air is sensed by an electronic duct sensor, the unit fan and heat are deenergized and the primary air valve opens to the maximum airflow setpoint for morning warm up. Air volume limits are located at the thermostat.



CONTROLLER ASSY. MODEL: ETPX3FTBWD

- 1 MINIMUM 50 VA
- 2 TRANSFORMER AND FAN RELAY ARE LOCATED IN HEATER ENCLOSURE—REFER TO HEATER WIRING DIAGRAM.
- 3 MAXIMUM 10 VA HOLDING COIL
- 4 ENERGIZED 1° F BELOW SETPOINT
- 5 ENERGIZED 2° F BELOW SETPOINT
- 6 ENERGIZED 3° F BELOW SETPOINT
- 7 ENERGIZED 4° F BELOW SETPOINT
- 8 WIRE TERMINAL 3 TO TERMINAL 1 IN THE FIELD

--- FACTORY TUBING
 - - - FIELD WIRING
 ——— FACTORY WIRING

FV7402		ENVIRO-TEC BY JOHNSON CONTROLS	
PRESSURE INDEPENDENT ELECTRONIC CONTROLS			
DRN BY: WDD	DATE: 04/17/00	SCALE: N/A	DRAWING NO.
THIS DRAWING CONTAINS PROPRIETARY DATA. UNAUTHORIZED DISCLOSURE, REPRODUCTION, OR USE IS STRICTLY PROHIBITED WITHOUT WRITTEN PERMISSION.			20864
DO NOT SCALE DRAWING DIMENSIONS AND DATA ARE SUBJECT TO CHANGE WITHOUT NOTICE. CONTACT FACTORY FOR CERTIFIED DRAWINGS.			
CKD BY: WAE	DATE: 04/09/08	REV: 08	