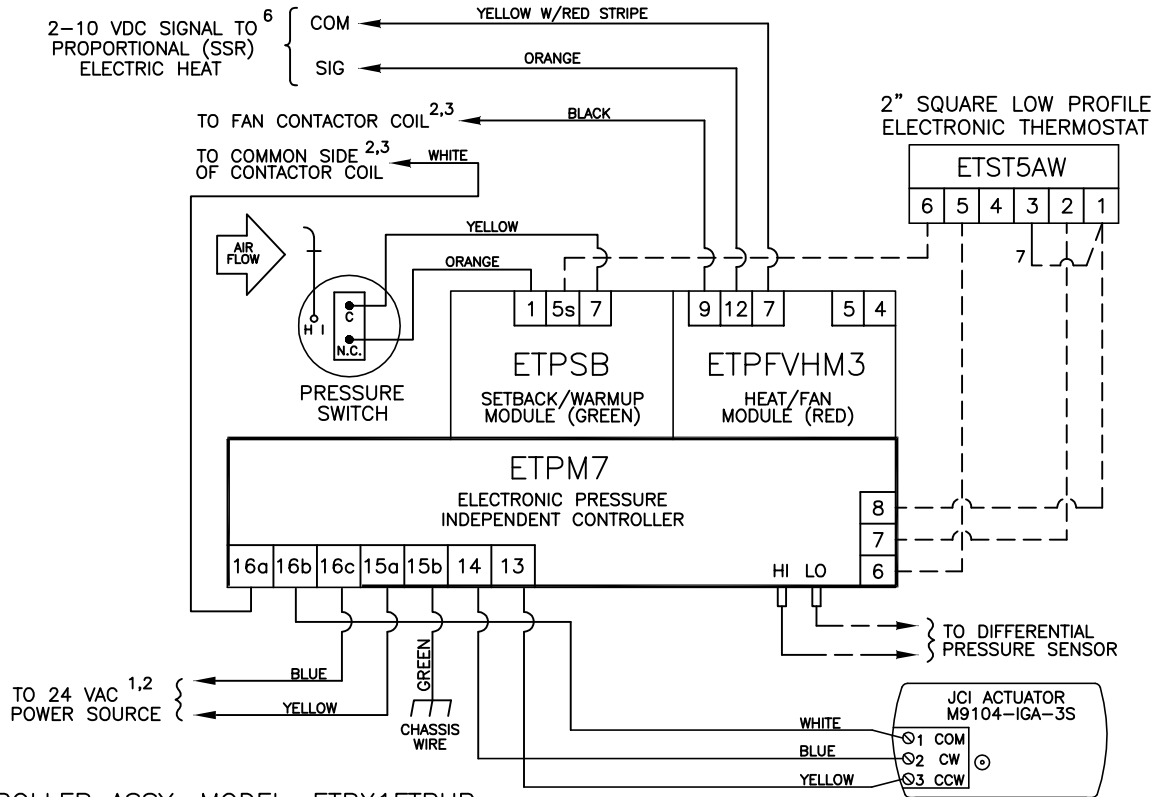
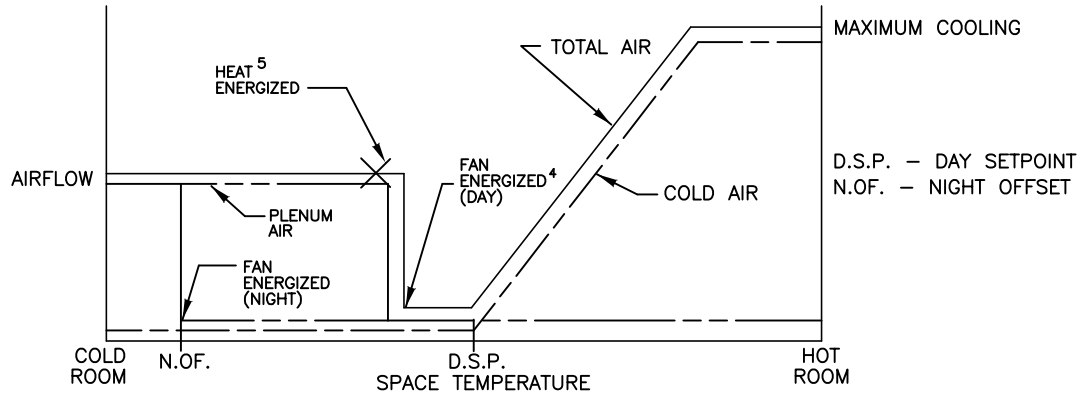


This application provides intermittent fan powered variable air volume control with proportional modulating electric (SSR) heat and night setback. As space temperature drops, primary airflow is reset from maximum to minimum setpoint. As space temperature continues to drop, the unit fan is energized thus supplying plenum air to the space. On a further drop in space temperature, heat is modulated to satisfy the load. When system air is failed, the unit automatically switches into the night setback mode. The primary air valve remains closed and the unit fan and heat are cycled to maintain the night offset. Air volume limits are located at the thermostat.



CONTROLLER ASSY. MODEL: ETPX1FTBHP

- 1 MINIMUM 40 VA
 - 2 TRANSFORMER AND FAN RELAY ARE LOCATED IN HEATER ENCLOSURE—REFER TO HEATER WIRING DIAGRAM
 - 3 MAXIMUM 10 VA HOLDING COIL
 - 4 ENERGIZED 1° F BELOW SETPOINT
 - 5 ENERGIZED 2° F BELOW SETPOINT
FULL ON AT 5° F BELOW SETPOINT
 - 6 OFF AT 2 VDC, FULL ON AT 10 VDC
 - 7 WIRE TERMINAL 3 TO TERMINAL 1
- - - - - FACTORY TUBING
 - - - - - FIELD WIRING
 ———— FACTORY WIRING

FV7205		ENVIRO-TEC[®]	
PRESSURE INDEPENDENT ELECTRONIC CONTROLS		BY JOHNSON CONTROLS	
DRN BY: AWW	DATE: 10/14/97	SCALE: N/A	DRAWING NO.
OKD BY: WAE	DATE: 04/09/08	REV: 09	19534
THIS DRAWING CONTAINS PROPRIETARY DATA. UNAUTHORIZED DISCLOSURE, REPRODUCTION, OR USE IS STRICTLY PROHIBITED WITHOUT WRITTEN PERMISSION.		DO NOT SCALE DRAWING. DIMENSIONS AND DATA ARE SUBJECT TO CHANGE WITHOUT NOTICE. CONTACT FACTORY FOR CERTIFIED DRAWINGS.	