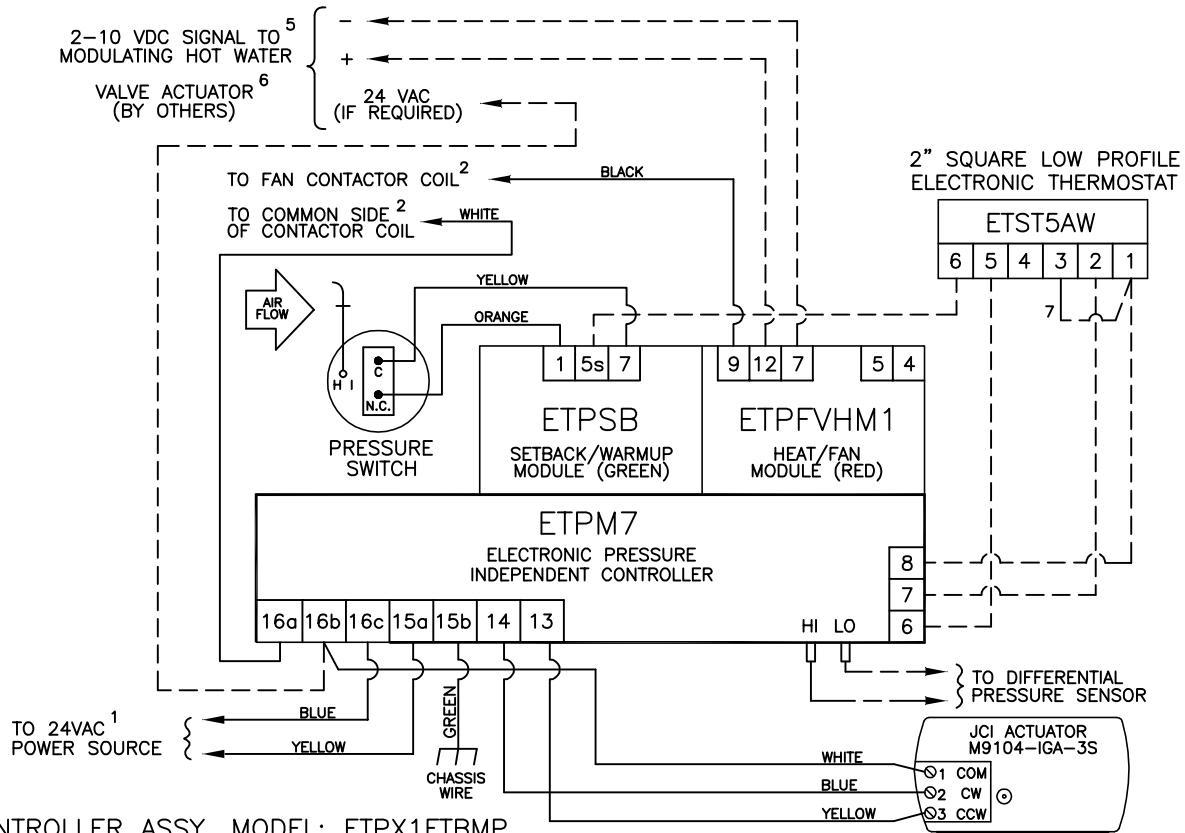
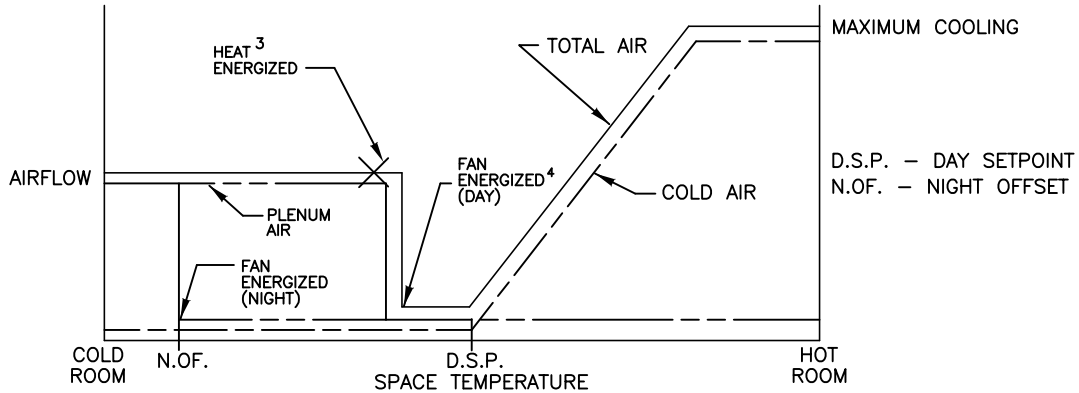


This application provides intermittent fan powered variable air volume control with proportional modulating hot water heat and night setback. As space temperature drops, primary airflow is reset from maximum to minimum setpoint. As space temperature continues to drop, the unit fan is energized thus supplying plenum air to the space. On a further drop in space temperature, heat is modulated to satisfy the load. When system air is failed, the unit automatically switches into the night setback mode. The primary air valve remains closed and the unit fan and heat are cycled to maintain the night offset. Air volume limits are located at the thermostat.



CONTROLLER ASSY. MODEL: ETPX1FTBMP

- 1 MINIMUM 40 VA. UP TO 20 VA AVAILABLE FOR HOT WATER ACTUATOR (BY OTHERS). REFER TO FAN WIRING DIAGRAM FOR TRANSFORMER AND RELAY WIRING, AND OTHER HIGH VOLTAGE WIRING.
- 2 MAXIMUM 10 VA HOLDING COIL
- 3 ENERGIZED 2° F BELOW SETPOINT FULL OPEN AT 5° F BELOW SETPOINT
- 4 ENERGIZED 1° F BELOW SETPOINT

- 5 CLOSED AT 10 VDC, OPEN AT 2 VDC. MAY ALSO BE USED WITH A 0-10 VDC INPUT VALVE ACTUATOR
- 6 SUPPLIED, MOUNTED AND WIRED BY OTHERS
- 7 WIRE TERMINAL 3 TO TERMINAL 1 IN THE FIELD

--- FACTORY TUBING
 - - - - - FIELD WIRING
 _____ FACTORY WIRING

| | | | |
|--|-------------------|--|-------|
| ENVIRO-TEC BY JOHNSON CONTROLS | | DRAWING NO. | |
| DRN BY: AWW | DATE: 05/21/97 | SCALE: N/A | |
| TITLE: FV7203 PRESSURE INDEPENDENT ELECTRONIC CONTROLS | | | 19335 |
| THIS DRAWING CONTAINS PROPRIETARY DATA. UNAUTHORIZED DISCLOSURE, REPRODUCTION, OR USE IS STRICTLY PROHIBITED WITHOUT WRITTEN PERMISSION. | | DO NOT SCALE DRAWING DIMENSIONS AND DATA ARE SUBJECT TO CHANGE WITHOUT NOTICE. CONTACT FACTORY FOR CERTIFIED DRAWINGS. | |
| OKD BY: WAE | DATE: 04/09/08 | REV: 08 | |