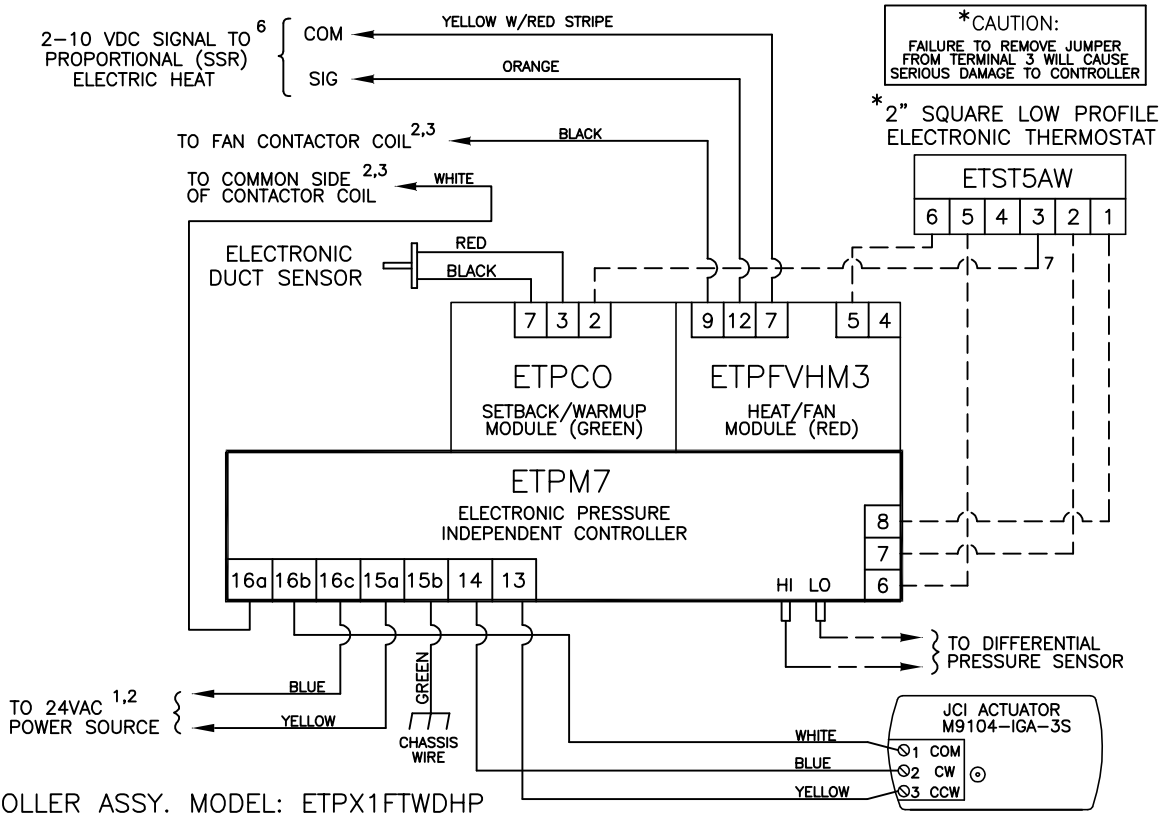
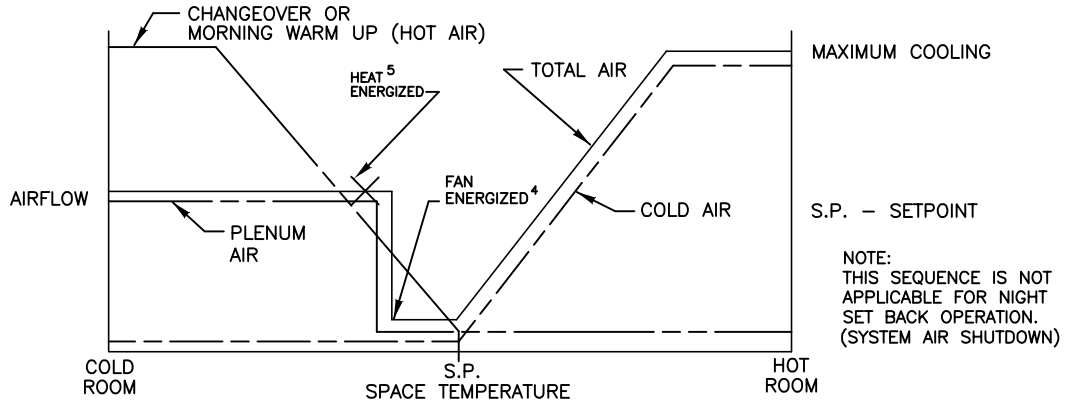


This application provides intermittent fan powered variable air volume control with proportional electric (SSR) heat and summer/winter changeover and/or morning warm up. As space temperature drops, primary airflow is reset from maximum to minimum setpoint. As space temperature continues to drop, the unit fan is energized thus supplying plenum air to the space. On a further drop in space temperature, heat is modulated to satisfy the load. When warm air is sensed by an electronic duct sensor, the unit fan and heat are deenergized and the primary air valve reverses operation for changeover or morning warm up. Air volume limits are located at the thermostat.



CONTROLLER ASSY. MODEL: ETPX1FTWDHP

1 MINIMUM 40 VA

2 TRANSFORMER AND FAN RELAY ARE LOCATED IN HEATER ENCLOSURE—REFER TO HEATER WIRING DIAGRAM

3 MAXIMUM 10 VA HOLDING COIL

4 ENERGIZED 1° F BELOW SETPOINT

5 ENERGIZED 2° F BELOW SETPOINT
FULL ON AT 5° F BELOW SETPOINT

6 OFF AT 2 VDC, FULL ON AT 10 VDC

7 REMOVE JUMPER ON TERMINAL 3 BEFORE INSTALLATION.

--- FACTORY TUBING
 - - - FIELD WIRING
 ——— FACTORY WIRING

TITLE:

FV7105

PRESSURE INDEPENDENT ELECTRONIC CONTROLS

ENVIRO-TEC
 BY JOHNSON CONTROLS

DRN BY: AWW	DATE: 10/13/97	SCALE: N/A	DRAWING NO.
OKD BY: WAE	DATE: 04/09/08	REV: 08	

19532

THIS DRAWING CONTAINS PROPRIETARY DATA. UNAUTHORIZED DISCLOSURE, REPRODUCTION, OR USE IS STRICTLY PROHIBITED WITHOUT WRITTEN PERMISSION

DO NOT SCALE DRAWING
 DIMENSIONS AND DATA ARE SUBJECT TO CHANGE WITHOUT NOTICE.
 CONTACT FACTORY FOR CERTIFIED DRAWINGS.