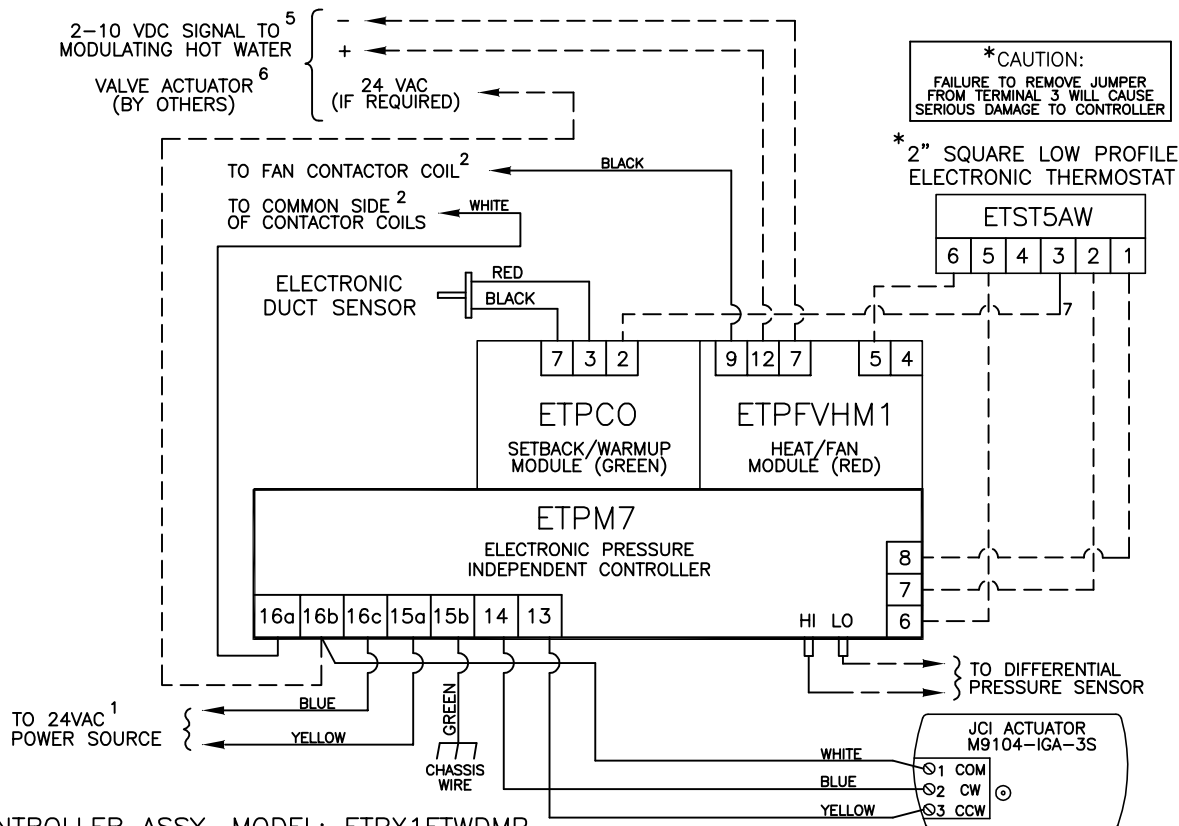
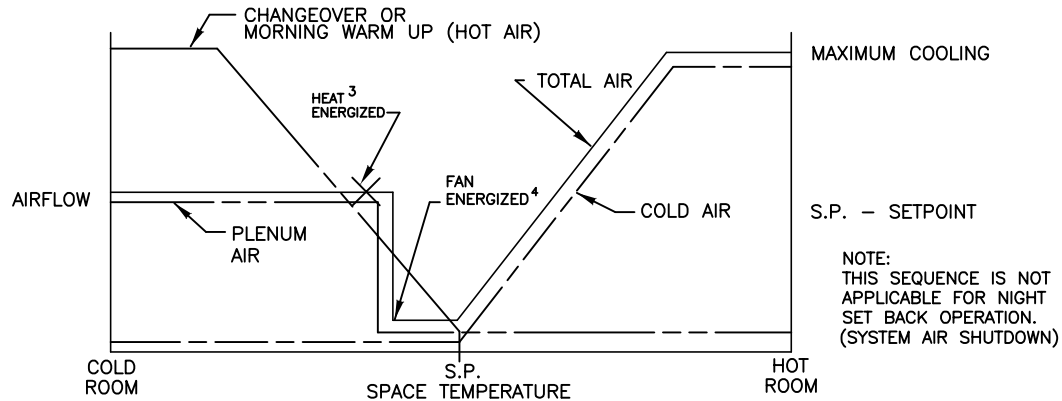


This application provides intermittent fan powered variable air volume control with proportional modulating hot water heat and summer/winter changeover and/or morning warm up. As space temperature drops, primary airflow is reset from maximum to minimum setpoint. As space temperature continues to drop, the unit fan is energized thus supplying plenum air to the space. On a further drop in space temperature, heat is modulated to satisfy the load. When warm air is sensed by an electronic duct sensor, the unit fan and heat are deenergized and the primary air valve reverses operation for changeover or morning warm up. Air volume limits are located at the thermostat.



CONTROLLER ASSY. MODEL: ETPX1FTWDMP

- 1 MINIMUM 40 VA. UP TO 20 VA AVAILABLE FOR HOT WATER ACTUATOR (BY OTHERS). REFER TO FAN WIRING DIAGRAM FOR TRANSFORMER AND RELAY WIRING, AND OTHER HIGH VOLTAGE WIRING.
- 2 MAXIMUM 10 VA HOLDING COIL
- 3 ENERGIZED 2° F BELOW SETPOINT FULL OPEN AT 5° F BELOW SETPOINT
- 4 ENERGIZED 1° F BELOW SETPOINT

- 5 CLOSED AT 10 VDC, OPEN AT 2 VDC. MAY ALSO BE USED WITH A 0-10 VDC INPUT VALVE ACTUATOR
- 6 SUPPLIED, MOUNTED AND WIRED BY OTHERS
- 7 REMOVE JUMPER FROM TERMINAL 3 BEFORE INSTALLATION.

----- FACTORY TUBING
 - - - - - FIELD WIRING
 _____ FACTORY WIRING

FV7103		ENVIRO-TEC[®]	
PRESSURE INDEPENDENT ELECTRONIC CONTROLS		BY JOHNSON CONTROLS	
DRN BY: AWW	DATE: 05/22/97	SCALE: N/A	DRAWING NO.
OKD BY: WAE	DATE: 04/09/08	REV: 08	19337

THIS DRAWING CONTAINS PROPRIETARY DATA. UNAUTHORIZED DISCLOSURE, REPRODUCTION, OR USE IS STRICTLY PROHIBITED WITHOUT WRITTEN PERMISSION

DO NOT SCALE DRAWING. DIMENSIONS AND DATA ARE SUBJECT TO CHANGE WITHOUT NOTICE. CONTACT FACTORY FOR CERTIFIED DRAWINGS.