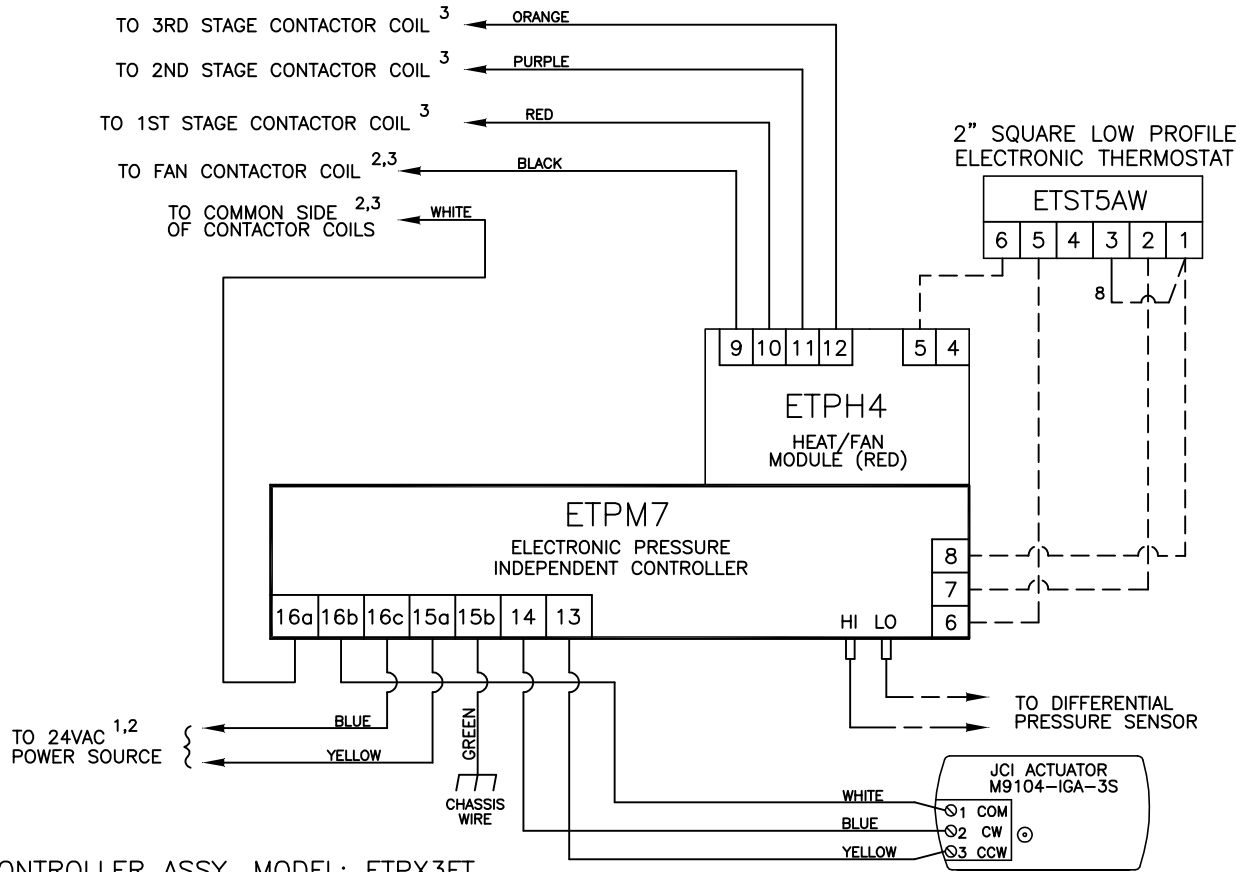
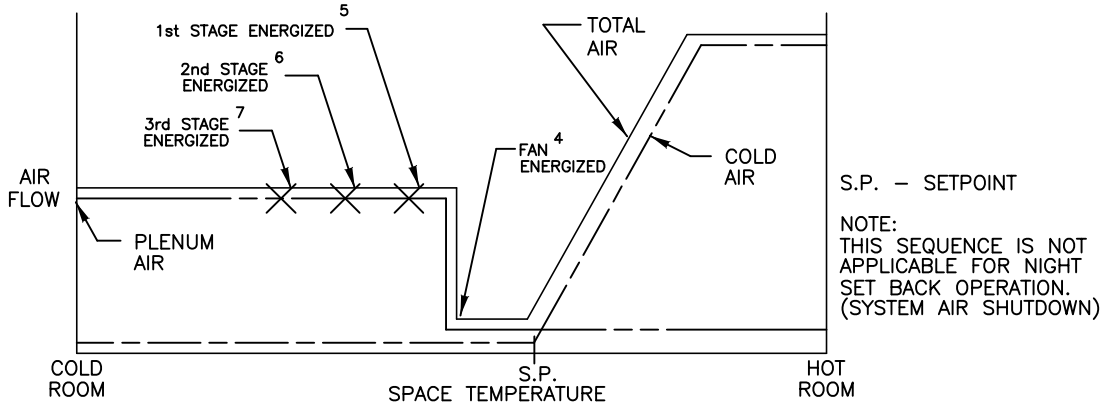


This application provides intermittent fan powered terminals providing up to three stages of electric heat. As space temperature drops, primary airflow is reset from maximum to minimum setpoint. As space temperature continues to drop, the unit fan is energized, thus supplying plenum air to the space. On a further drop in space temperature heat is energized in stages to satisfy the load. Air volume limits are located at the thermostat.



CONTROLLER ASSY. MODEL: ETPX3FT

- 1 MINIMUM 50 VA
- 2 TRANSFORMER AND FAN RELAY ARE LOCATED IN HEATER ENCLOSURE—REFER TO HEATER WIRING DIAGRAM.
- 3 MAXIMUM 10 VA HOLDING COIL
- 4 ENERGIZED 1° F BELOW SETPOINT
- 5 ENERGIZED 2° F BELOW SETPOINT
- 6 ENERGIZED 3° F BELOW SETPOINT
- 7 ENERGIZED 4° F BELOW SETPOINT
- 8 WIRE TERMINAL 3 TO TERMINAL 1 IN THE FIELD

--- FACTORY TUBING
 - - - FIELD WIRING
 ——— FACTORY WIRING

FV7002		ENVIRO-TEC®	
PRESSURE INDEPENDENT ELECTRONIC CONTROLS		BY JOHNSON CONTROLS	
DRN BY: WDD	DATE: 04/17/00	SCALE: N/A	DRAWING NO.
OKD BY: WAE	DATE: 04/09/08	REV: 09	20860
THIS DRAWING CONTAINS PROPRIETARY DATA. UNAUTHORIZED DISCLOSURE, REPRODUCTION, OR USE IS STRICTLY PROHIBITED WITHOUT WRITTEN PERMISSION.		DO NOT SCALE DRAWING. DIMENSIONS AND DATA ARE SUBJECT TO CHANGE WITHOUT NOTICE. CONTACT FACTORY FOR CERTIFIED DRAWINGS.	