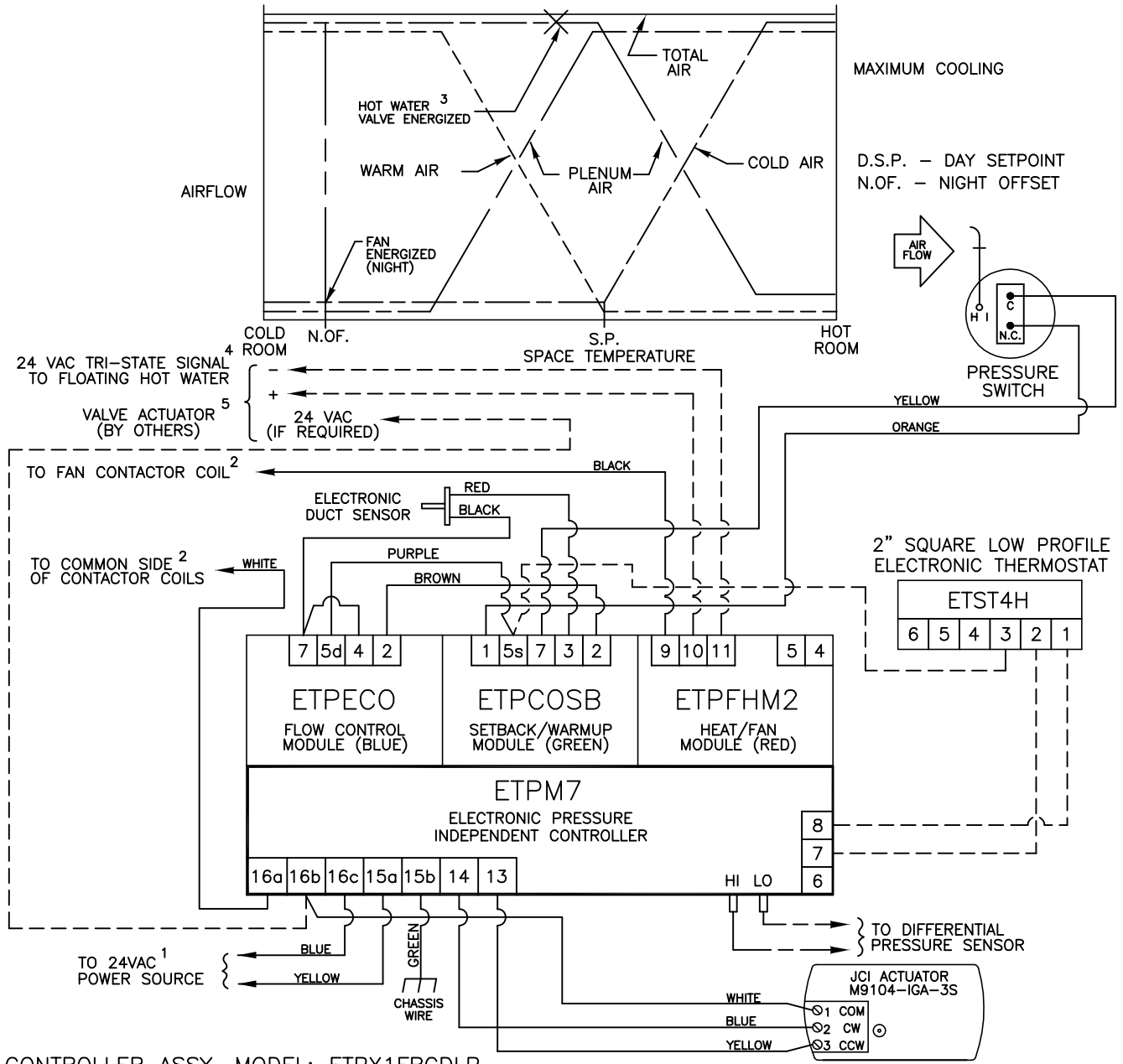


This application applies to Series Flow fan powered terminals providing floating modulating hot water heat, night setback and summer/winter changeover and/or morning warm up. The unit fan draws either cold primary air or warm plenum air to satisfy the load. If plenum air fails to maintain setpoint, heat is modulated to satisfy the load. When system air is failed the unit automatically switches into the night setback mode. The primary air valve remains closed and the unit fan and heat are cycled to maintain the night offset. Warm air is sensed by the electronic duct sensor causing the primary air valve to reverse operation for changeover or morning warm up (heat is deenergized). Air volume limits are located on the ETPECO module.



CONTROLLER ASSY. MODEL: ETPX1FBCDLP

¹ MINIMUM 40 VA. UP TO 20 VA AVAILABLE FOR HOT WATER ACTUATOR (BY OTHERS). REFER TO FAN WIRING DIAGRAM FOR TRANSFORMER AND RELAY WIRING, AND OTHER HIGH VOLTAGE WIRING.

² MAXIMUM 15 VA HOLDING COIL

³ ENERGIZED 2° F BELOW SETPOINT

⁴ CLOSED AT 10 VDC, OPEN AT 2 VDC MAY ALSO BE USED WITH A 0-10 VDC INPUT VALVE ACTUATOR.

⁵ SUPPLIED, MOUNTED AND WIRED BY OTHERS

--- FACTORY TUBING
 - - - FIELD WIRING
 _____ FACTORY WIRING

TITLE: FC7504 PRESSURE INDEPENDENT ELECTRONIC CONTROLS			
DRN BY: AWW	DATE: 10/10/97	SCALE: N/A	DRAWING NO. 19524
OKD BY: WAE	DATE: 04/09/08	REV: 09	
<small>THIS DRAWING CONTAINS PROPRIETARY DATA. UNAUTHORIZED DISCLOSURE, REPRODUCTION, OR USE IS STRICTLY PROHIBITED WITHOUT WRITTEN PERMISSION.</small>		<small>DO NOT SCALE DRAWING. DIMENSIONS AND DATA ARE SUBJECT TO CHANGE WITHOUT NOTICE. CONTACT FACTORY FOR CERTIFIED DRAWINGS.</small>	