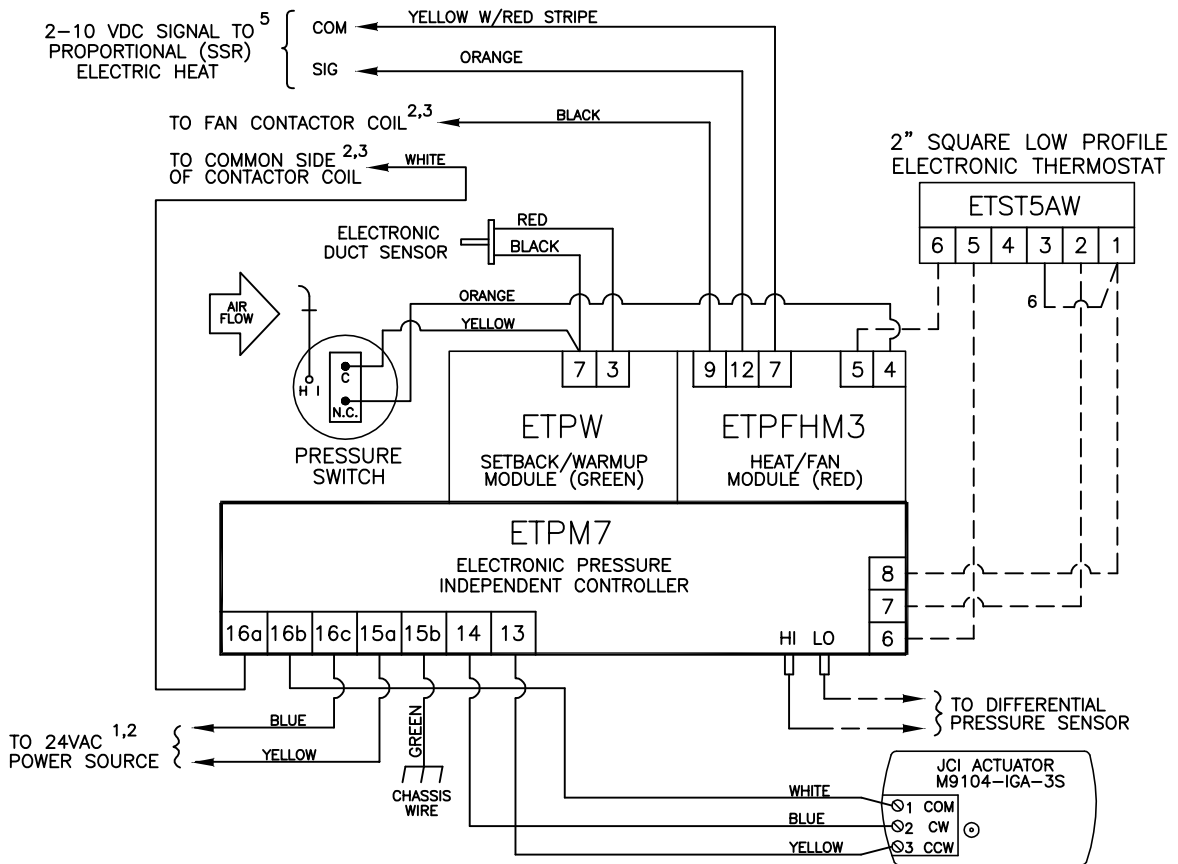
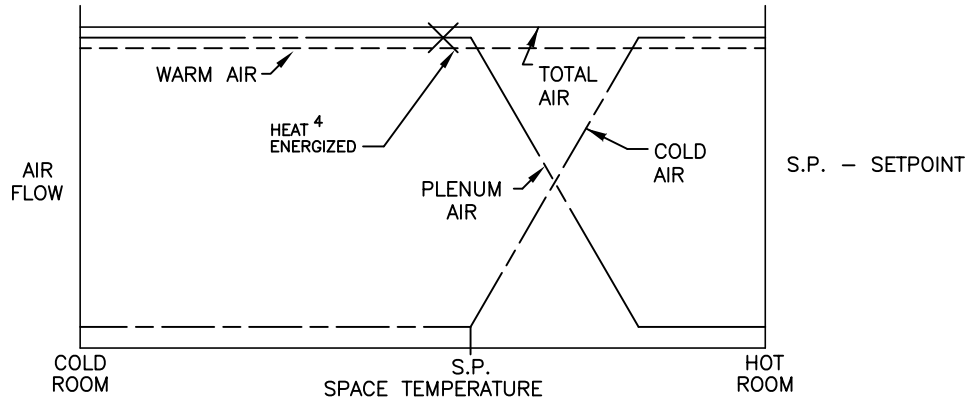


This application applies to Series Flow fan powered terminals providing morning warm up and proportional modulating electric (SSR) heat. The unit fan draws either cold primary air or warm plenum air to satisfy the load. If plenum air fails to maintain setpoint, heat is modulated to satisfy the load. Warm air is sensed by an electronic duct sensor causing the primary air valve to open to maximum airflow setpoint for morning warm up (heat is deenergized). When system air is failed, the primary air valve closes and the unit fan and heat are deenergized for night operation. Air volume limits are located at the thermostat.



CONTROLLER ASSY. MODEL: ETPX1FYUDHP

1 MINIMUM 40 VA

2 TRANSFORMER AND FAN RELAY ARE LOCATED IN HEATER ENCLOSURE—REFER TO HEATER WIRING DIAGRAM

3 MAXIMUM 10 VA HOLDING COIL

4 ENERGIZED 2° F BELOW SETPOINT
FULL ON AT 5° F BELOW SETPOINT

5 OFF AT 2 VDC, FULL ON AT 10 VDC

6 WIRE TERMINAL 3 TO TERMINAL 1
IN THE FIELD

--- FACTORY TUBING
- - - FIELD WIRING
_____ FACTORY WIRING

TITLE:

FC7305

PRESSURE INDEPENDENT ELECTRONIC CONTROLS

ENVIRO-TEC
BY JOHNSON CONTROLS

DRN BY: AWW	DATE: 10/07/97	SCALE: N/A	DRAWING NO.
OKD BY: WAE	DATE: 04/09/08	REV: 09	19514

THIS DRAWING CONTAINS PROPRIETARY DATA.
UNAUTHORIZED DISCLOSURE, REPRODUCTION, OR USE
IS STRICTLY PROHIBITED WITHOUT WRITTEN PERMISSION

DO NOT SCALE DRAWING
DIMENSIONS AND DATA ARE SUBJECT TO CHANGE WITHOUT NOTICE.
CONTACT FACTORY FOR CERTIFIED DRAWINGS.