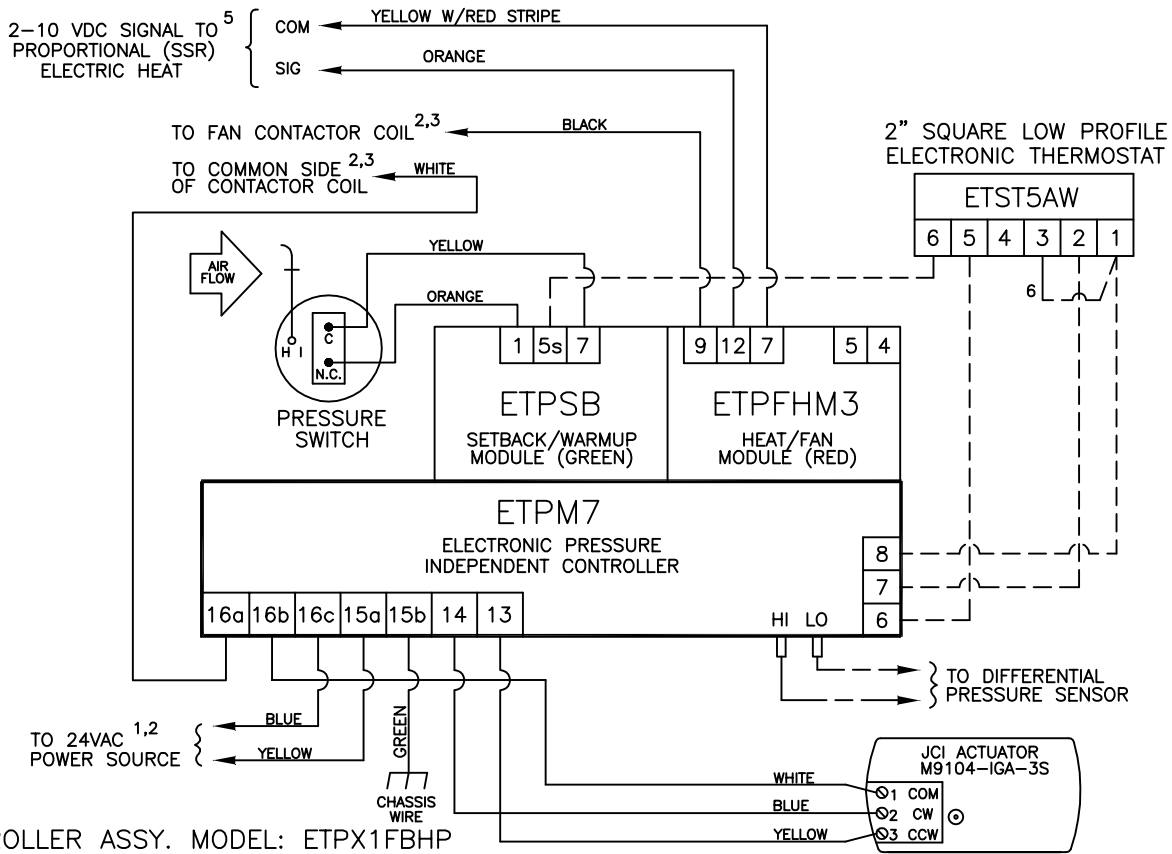
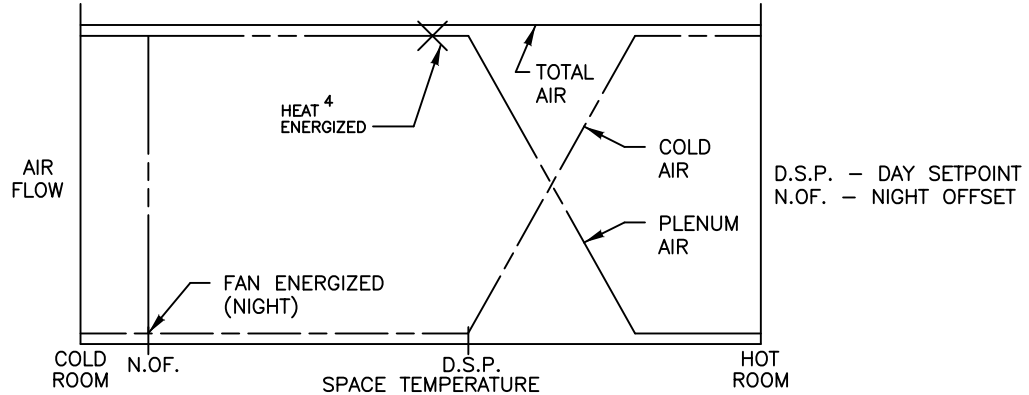


This application applies to Series Flow fan powered terminals providing proportional modulating electric (SSR) heat and night setback. The unit fan draws either cold primary air or warm plenum air to satisfy the load. If plenum air fails to maintain setpoint, heat is modulated to satisfy the load. When system air is failed, the unit automatically switches to the night setback mode. The primary air valve remains closed and the unit fan and heat are cycled to maintain the night offset. Air volume limits are located at the thermostat.



CONTROLLER ASSY. MODEL: ETPX1FBHP

- 1 MINIMUM 40 VA
  - 2 TRANSFORMER AND FAN RELAY ARE LOCATED IN HEATER ENCLOSURE—REFER TO HEATER WIRING DIAGRAM
  - 3 MAXIMUM 10 VA HOLDING COIL
  - 4 ENERGIZED 2° F BELOW SETPOINT FULL ON AT 5° F BELOW SETPOINT
  - 5 OFF AT 2 VDC, FULL ON AT 10 VDC
  - 6 WIRE TERMINAL 3 TO TERMINAL 1 IN THE FIELD
- - - - - FACTORY TUBING  
 - - - - - FIELD WIRING  
 \_\_\_\_\_ FACTORY WIRING

<b>FC7205</b>		<b>ENVIRO-TEC®</b>	
PRESSURE INDEPENDENT ELECTRONIC CONTROLS		BY JOHNSON CONTROLS	
DRN BY: AWW	DATE: 10/06/97	SCALE: N/A	DRAWING NO.
OKD BY: WAE	DATE: 04/09/08	REV: 09	19510
THIS DRAWING CONTAINS PROPRIETARY DATA. UNAUTHORIZED DISCLOSURE, REPRODUCTION, OR USE IS STRICTLY PROHIBITED WITHOUT WRITTEN PERMISSION.		DO NOT SCALE DRAWING. DIMENSIONS AND DATA ARE SUBJECT TO CHANGE WITHOUT NOTICE. CONTACT FACTORY FOR CERTIFIED DRAWINGS.	