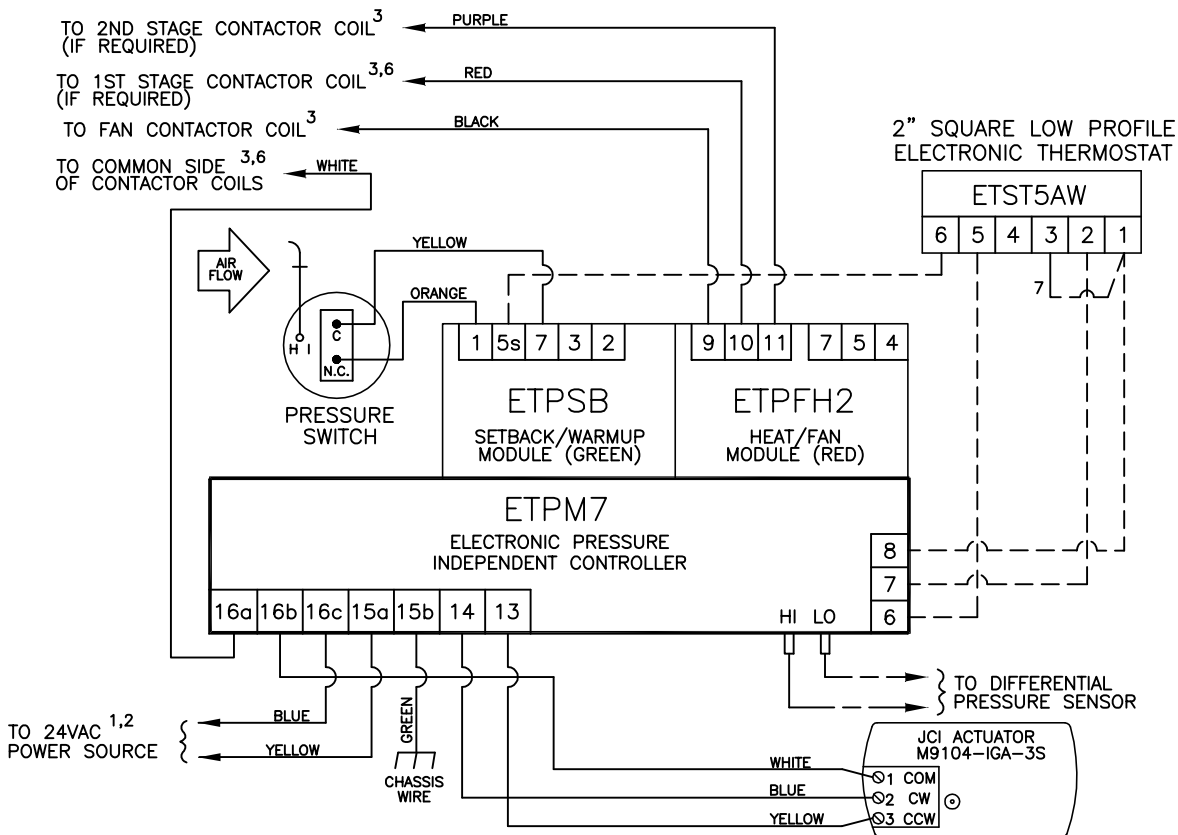
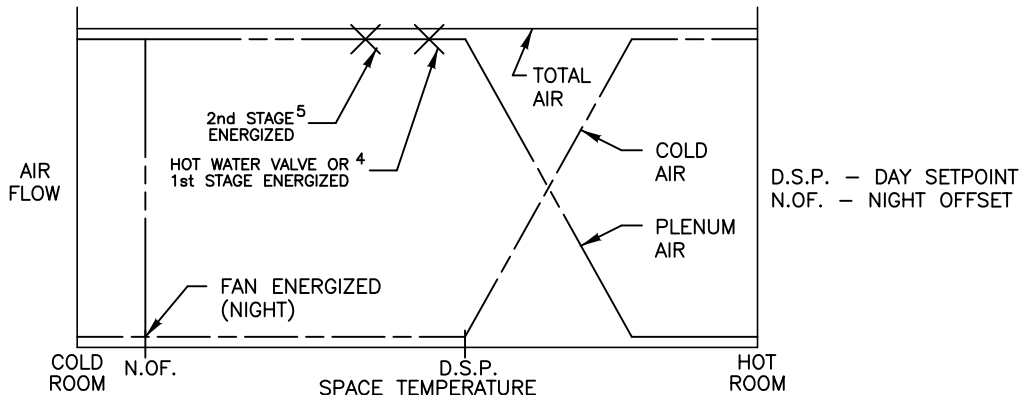


This application applies to Series Flow fan powered terminals providing up to two stages of electric or hot water heat and night setback. The unit fan draws either cold primary air or warm plenum air to satisfy the load. If plenum air fails to maintain setpoint, heat is energized in stages to satisfy the load. When system air is failed, the unit automatically switches to the night setback mode. The primary air valve remains closed and the unit fan and heat are cycled to maintain the night offset. Air volume limits are located at the thermostat.



CONTROLLER ASSY. MODEL: ETPXNFB

1 MINIMUM 40 VA

2 IF ELECTRIC HEAT IS PROVIDED, TRANSFORMER AND FAN RELAY ARE LOCATED IN HEATER ENCLOSURE—REFER TO HEATER WIRING DIAGRAM. OTHERWISE, REFER TO FAN WIRING DIAGRAM FOR TRANSFORMER AND RELAY WIRING, AND OTHER HIGH VOLTAGE WIRING.

3 MAXIMUM 10 VA HOLDING COIL

4 ENERGIZED 2° F BELOW SETPOINT

5 ENERGIZED 3° F BELOW SETPOINT

6 IF HOT WATER HEAT IS USED, FIELD WIRING IS REQUIRED.

7 WIRE TERMINAL 3 TO TERMINAL 1 IN THE FIELD

--- FACTORY TUBING  
 - - - - - FIELD WIRING  
 \_\_\_\_\_ FACTORY WIRING

TITLE:

**FC7201**

**PRESSURE INDEPENDENT ELECTRONIC CONTROLS**

**ENVIRO-TEC**  
 BY JOHNSON CONTROLS

DRN BY: AWW	DATE: 01/15/97	SCALE: N/A	DRAWING NO.
CKD BY: WAE	DATE: 04/09/08	REV: 11	

19161

THIS DRAWING CONTAINS PROPRIETARY DATA. UNAUTHORIZED DISCLOSURE, REPRODUCTION, OR USE IS STRICTLY PROHIBITED WITHOUT WRITTEN PERMISSION

DO NOT SCALE DRAWING. DIMENSIONS AND DATA ARE SUBJECT TO CHANGE WITHOUT NOTICE. CONTACT FACTORY FOR CERTIFIED DRAWINGS.