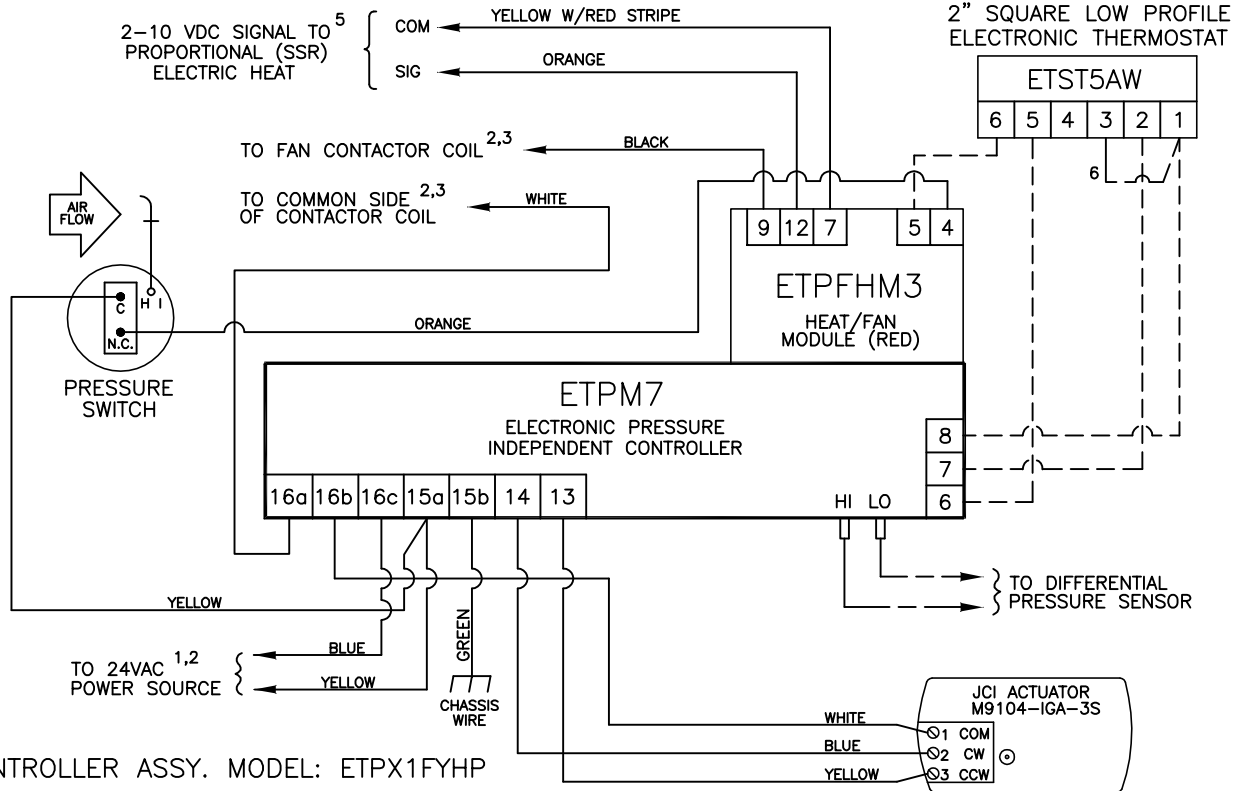
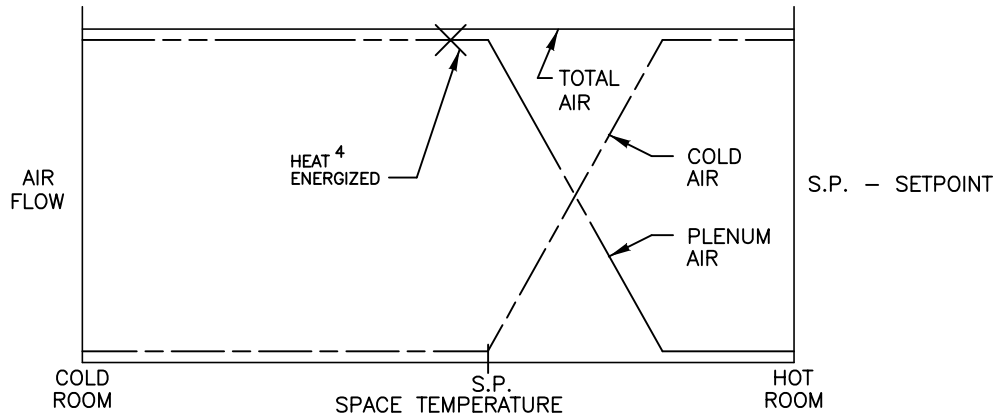


This application applies to Series Flow fan powered terminals providing proportional modulating electric (SSR) heat. The unit fan draws either cold primary air or warm plenum air to satisfy the load. If plenum air fails to maintain setpoint, heat is modulated to satisfy the load. When system air is failed, the primary air valve closes and the unit fan and heat are deenergized for night operation. Air volume limits are located at the thermostat.



CONTROLLER ASSY. MODEL: ETPX1FYHP

1 MINIMUM 40 VA

2 TRANSFORMER AND FAN RELAY ARE LOCATED IN HEATER ENCLOSURE—REFER TO HEATER WIRING DIAGRAM

3 MAXIMUM 10 VA HOLDING COIL

4 ENERGIZED 2° F BELOW SETPOINT FULL ON AT 5° F BELOW SETPOINT

5 OFF AT 2 VDC, FULL ON AT 10 VDC

6 WIRE TERMINAL 3 TO TERMINAL 1 IN THE FIELD

--- FACTORY TUBING
 - - - FIELD WIRING
 _____ FACTORY WIRING

TITLE:		FC7005		ENVIRO-TEC BY JOHNSON CONTROLS	
PRESSURE INDEPENDENT ELECTRONIC CONTROLS		DRN BY: AWW	DATE: 10/02/97	SCALE: N/A	DRAWING NO.
THIS DRAWING CONTAINS PROPRIETARY DATA. UNAUTHORIZED DISCLOSURE, REPRODUCTION, OR USE IS STRICTLY PROHIBITED WITHOUT WRITTEN PERMISSION		DO NOT SCALE DRAWING. DIMENSIONS AND DATA ARE SUBJECT TO CHANGE WITHOUT NOTICE. CONTACT FACTORY FOR CERTIFIED DRAWINGS.		OKD BY: WAE	DATE: 04/08/08
				REV: 08	19502