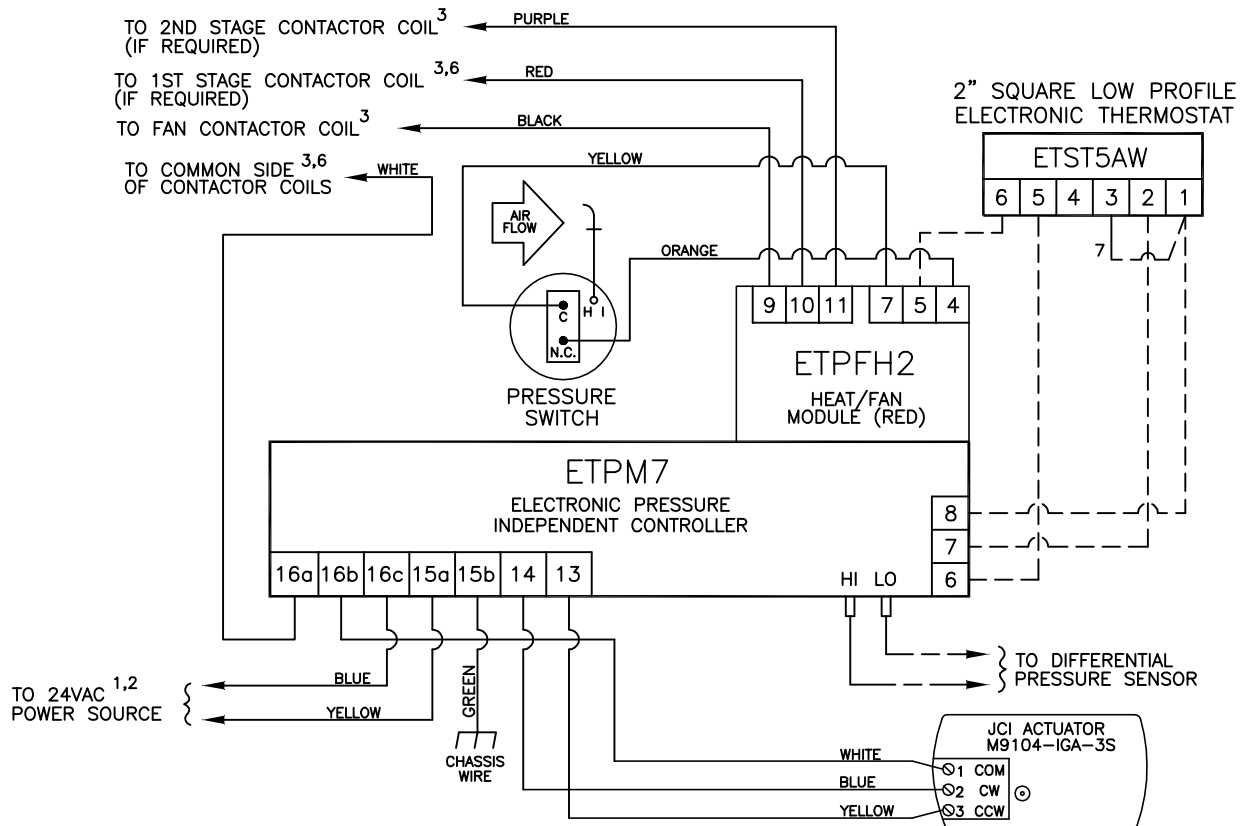
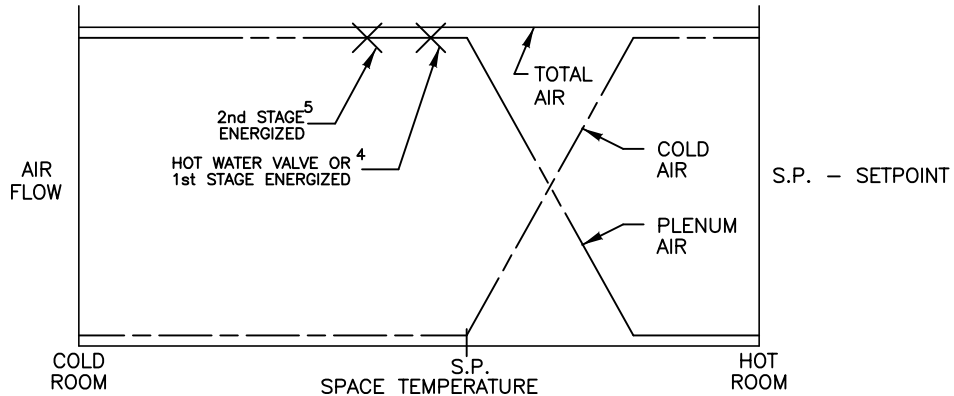


This application applies to Series Flow fan powered terminals providing up to two stages of electric or hot water heat. The unit fan draws either cold primary air or warm plenum air to satisfy the load. If plenum air fails to maintain setpoint, heat is energized in stages to satisfy the load. When system air is failed, the primary air valve closes and the unit fan and heat are deenergized for night operation. Air volume limits are located at the thermostat.



CONTROLLER ASSY. MODEL: ETPXNFY

- 1 MINIMUM 40 VA
- 2 IF ELECTRIC HEAT IS PROVIDED, TRANSFORMER AND FAN RELAY ARE LOCATED IN HEATER ENCLOSURE—REFER TO HEATER WIRING DIAGRAM. OTHERWISE, REFER TO FAN WIRING DIAGRAM FOR TRANSFORMER AND RELAY WIRING, AND OTHER HIGH VOLTAGE WIRING.
- 3 MAXIMUM 10 VA HOLDING COIL
- 4 ENERGIZED 2° F BELOW SETPOINT
- 5 ENERGIZED 3° F BELOW SETPOINT
- 6 IF HOT WATER HEAT IS USED, FIELD WIRING IS REQUIRED.
- 7 WIRE TERMINAL 3 TO TERMINAL 1 IN THE FIELD

--- FACTORY TUBING
 - - - - - FIELD WIRING
 _____ FACTORY WIRING

FC7001		ENVIRO-TEC[®] BY JOHNSON CONTROLS	
PRESSURE INDEPENDENT ELECTRONIC CONTROLS		DRN BY: AWW	DATE: 05/22/97
THIS DRAWING CONTAINS PROPRIETARY DATA. UNAUTHORIZED DISCLOSURE, REPRODUCTION, OR USE IS STRICTLY PROHIBITED WITHOUT WRITTEN PERMISSION.		SCALE: N/A	DRAWING NO.
DO NOT SCALE DRAWING DIMENSIONS AND DATA ARE SUBJECT TO CHANGE WITHOUT NOTICE. CONTACT FACTORY FOR CERTIFIED DRAWINGS.		CKD BY: WAE	REV: 09
		19340	