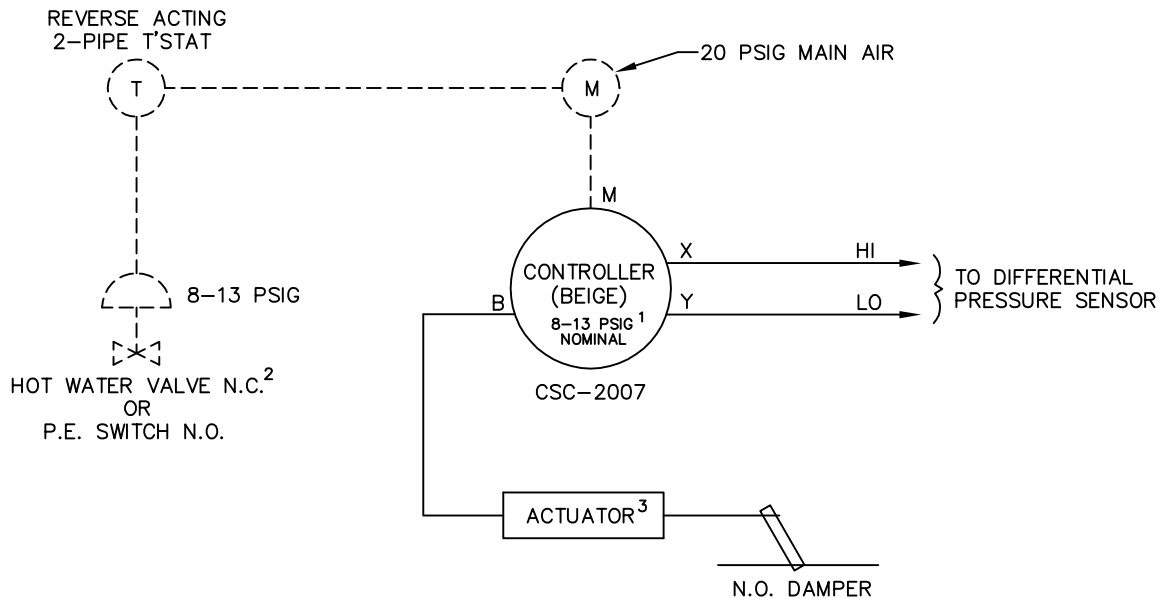
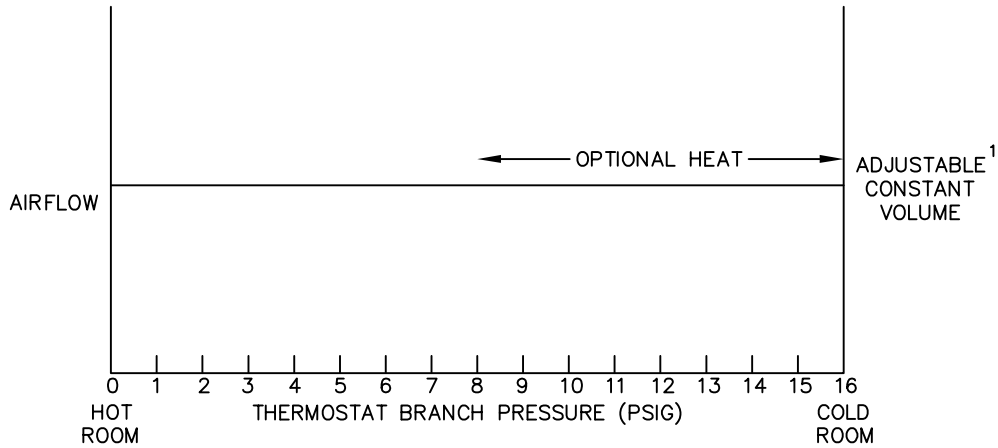


A reverse acting, two-pipe thermostat is required for reheat only. Damper is normally open. Optional reheat control will require a normally closed hot water valve or a normally open P.E. switch. A field adjustable constant volume is supplied to the room at all times. As the space temperature drops, the thermostat will energize an optional electric heater or hot water coil valve to provide reheat.



- 1 ADJUST "LO" DIAL FOR SPECIFIED AIR VOLUME
- 2 HOT WATER VALVE SUPPLIED BY OTHERS
P.E. SWITCH IS INCLUDED IN ELECTRIC HEATER
- 3 UNIT SIZES 19 & 22 UTILIZE DUAL
ROTARY PNEUMATIC DAMPER ACTUATORS

———— FACTORY PIPING - - - - FIELD PIPING

PNEUMATIC AIR CONSUMPTION 0.5 SCFH



| | |
|---|--|
| TITLE: | SD450R |
| | PRESSURE INDEPENDENT PNEUMATIC CONTROLS |
| THIS DRAWING CONTAINS PROPRIETARY DATA. UNAUTHORIZED DISCLOSURE, REPRODUCTION, OR USE IS STRICTLY PROHIBITED WITHOUT WRITTEN PERMISSION | |

| | |
|-----------------------|--------------------------|
| DRN BY: AWW | DATE: 05/10/94 |
| CKD BY: WAE | DATE: 10/08/08 |
| | REV: 04 |

| |
|--------------------|
| DRAWING NO. |
| 16388 |