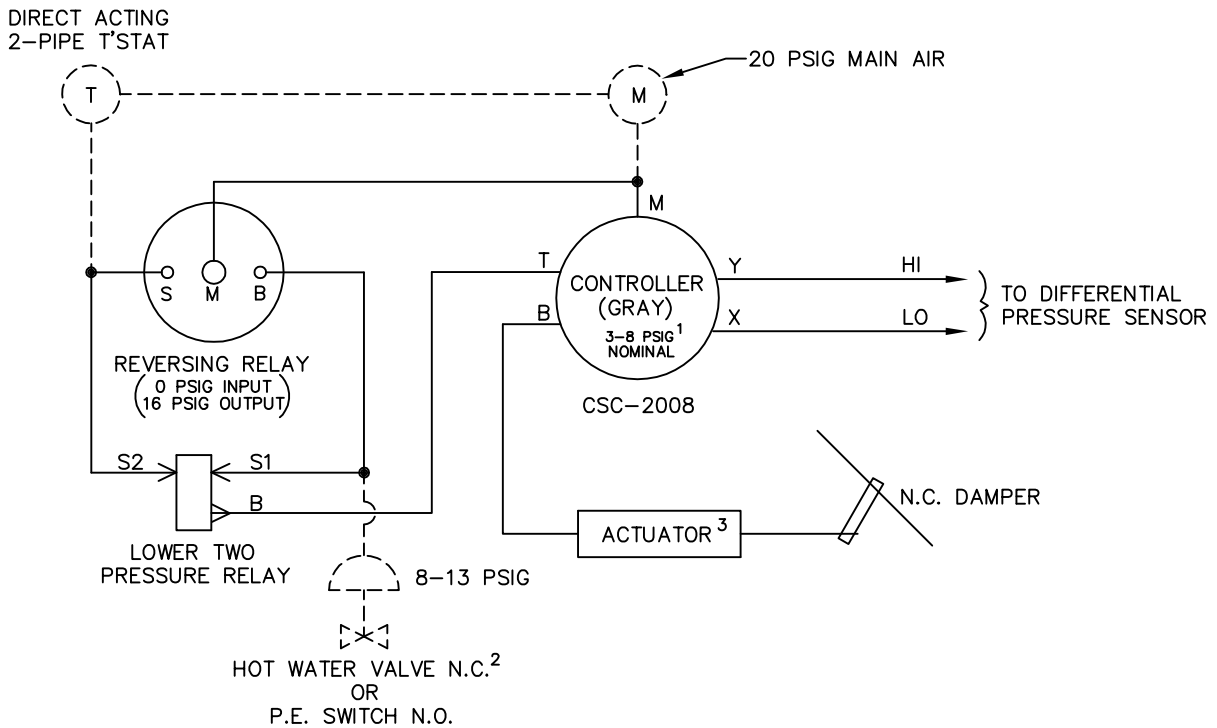
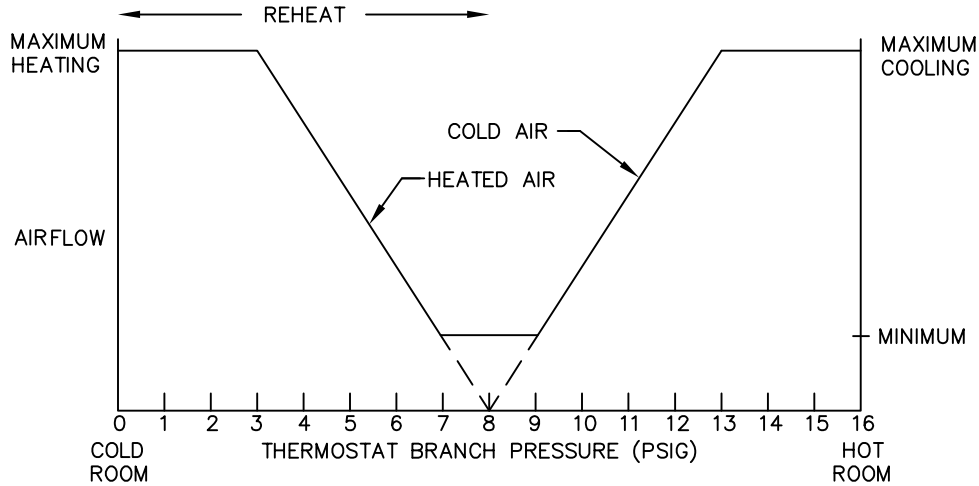


A direct acting, two-pipe thermostat is required. Damper is normally closed. Reheat control requires a normally closed hot water valve or a normally open P.E. switch. As the space temperature decreases, cold airflow is decreased to minimum position. If the space temperature continues to drop, airflow is increased to maximum position and reheat is energized. Maximum and minimum CFM setpoints are field adjustable.



- 1 CONTROLLER RESET RANGE WILL VARY WITH AIRFLOW LIMITS
- 2 HOT WATER VALVE SUPPLIED BY OTHERS P.E. SWITCH IS INCLUDED IN ELECTRIC HEATER
- 3 UNIT SIZES 19 & 22 UTILIZE DUAL ROTARY PNEUMATIC DAMPER ACTUATORS

———— FACTORY PIPING    - - - - FIELD PIPING

PNEUMATIC AIR CONSUMPTION 1.1 SCFH

	<b>TITLE:</b> <b>SD435R</b> PRESSURE INDEPENDENT PNEUMATIC CONTROLS	<b>DRN BY:</b> AWW	<b>DATE:</b> 05/10/94	<b>DRAWING NO.</b> 16381
	THIS DRAWING CONTAINS PROPRIETARY DATA. UNAUTHORIZED DISCLOSURE, REPRODUCTION, OR USE IS STRICTLY PROHIBITED WITHOUT WRITTEN PERMISSION	<b>CKD BY:</b> WAE	<b>DATE:</b> 10/08/08	<b>REV:</b> 04