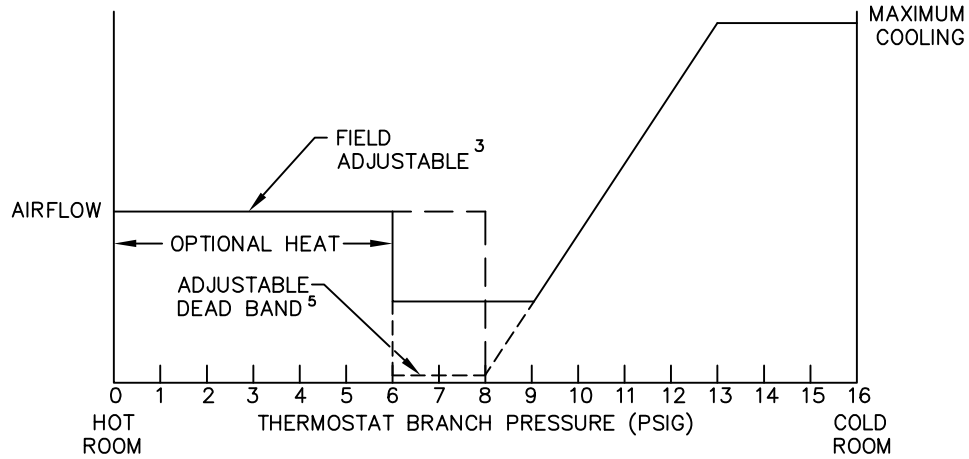
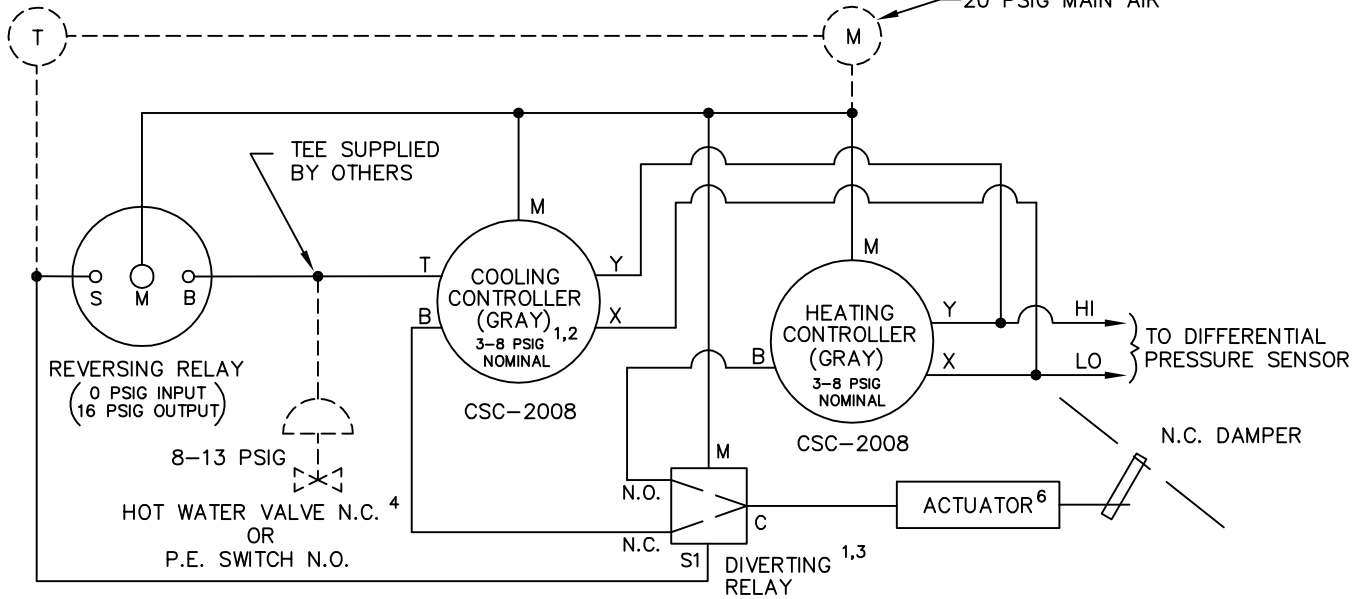


A direct acting, two-pipe thermostat is required. Damper is normally closed. Optional reheat control will require a normally closed hot water valve or a normally open P.E. switch. On a rise in space temperature, airflow is increased. On a drop in space temperature, airflow is decreased to minimum position. As space temperature continues to drop, the controller goes through a field adjustable dead band at minimum position and then increases to a higher field adjustable minimum for reheat.



DIRECT ACTING
2-PIPE T'STAT



- 1 CONTROLLER RESET RANGE WILL VARY WITH AIRFLOW LIMITS
- 2 ADJUST FOR MAXIMUM & MINIMUM COOLING SETPOINTS
- 3 ADJUST "HI" KNOB ONLY FOR HEATING MINIMUM SETPOINT
- 4 HOT WATER VALVE SUPPLIED BY OTHERS P.E. SWITCH IS INCLUDED IN ELECTRIC HEATER
- 5 ADJUST DIVERTING RELAY TO DESIRED SWITCHOVER PRESSURE
- 6 UNIT SIZES 19 & 22 UTILIZE DUAL ROTARY PNEUMATIC DAMPER ACTUATORS

———— FACTORY PIPING - - - - FIELD PIPING

PNEUMATIC AIR CONSUMPTION 1.6 SCFH



TITLE:	SD431R
PRESSURE INDEPENDENT PNEUMATIC CONTROLS	
<small>THIS DRAWING CONTAINS PROPRIETARY DATA. UNAUTHORIZED DISCLOSURE, REPRODUCTION, OR USE IS STRICTLY PROHIBITED WITHOUT WRITTEN PERMISSION</small>	

DRN BY:	DATE:
AWW	05/10/94
CKD BY:	DATE:
WAE	11/04/08
REV:	07

DRAWING NO.
16377