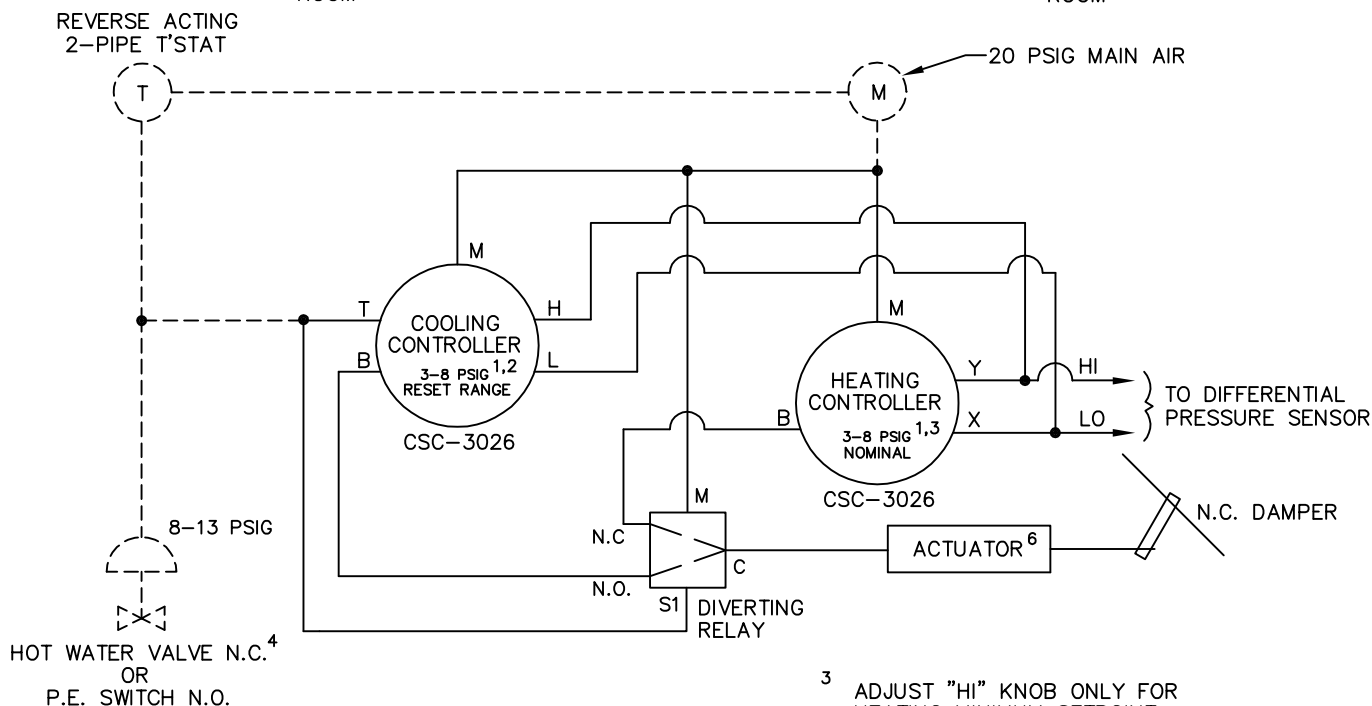
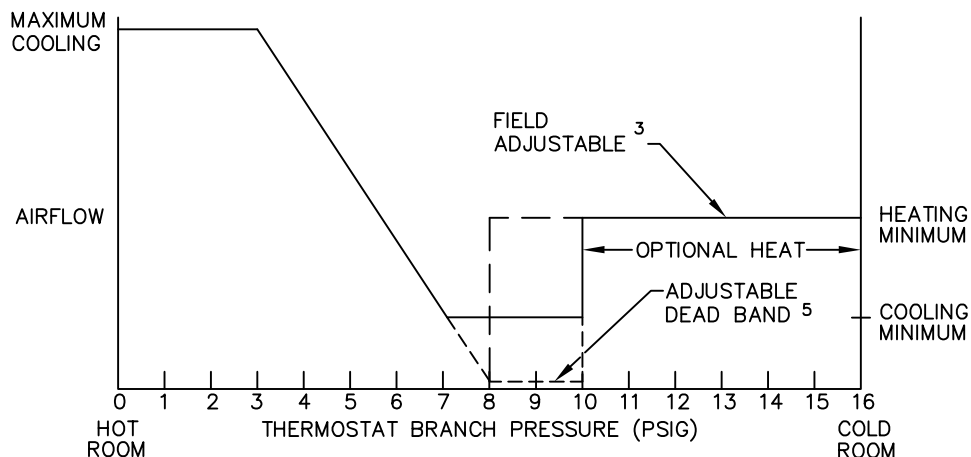


A reverse acting, two-pipe thermostat is required. Damper is normally closed. Optional reheat control will require a normally closed hot water valve or a normally open P.E. switch. On a rise in space temperature, airflow is increased. On a drop in space temperature, airflow is decreased to minimum position. As space temperature continues to drop, the controller goes through a field adjustable dead band at minimum position and then increases to a higher field adjustable minimum for reheat. The cooling controller can be calibrated to provide a constant reset range regardless of airflow limits.



- 1 CONTROLLER REQUIRES FIELD CALIBRATION AND SET UP UNLESS OTHERWISE SPECIFIED. IF FACTORY CALIBRATION OPTION IS USED, THE RESET SPAN AND STARTPOINT WILL BE ADJUSTED AS SHOWN ABOVE UNLESS OTHERWISE SPECIFIED.
- 2 ADJUST FOR MAXIMUM AND MINIMUM COOLING SETPOINTS.

- 3 ADJUST "HI" KNOB ONLY FOR HEATING MINIMUM SETPOINT
- 4 HOT WATER VALVE SUPPLIED BY OTHERS P.E. SWITCH IS INCLUDED IN ELECTRIC HEATER
- 5 ADJUST DIVERTING RELAY TO DESIRED SWITCHOVER PRESSURE
- 6 UNIT SIZES 19 & 22 UTILIZE DUAL ROTARY PNEUMATIC DAMPER ACTUATORS

—— FACTORY PIPING - - - - FIELD PIPING

PNEUMATIC AIR CONSUMPTION 2.0 SCFH



TITLE: **SD429RC**
PRESSURE INDEPENDENT PNEUMATIC CONTROLS

DRN BY: AWW
DATE: 05/13/97

DRAWING NO.

17807

THIS DRAWING CONTAINS PROPRIETARY DATA. UNAUTHORIZED DISCLOSURE, REPRODUCTION, OR USE IS STRICTLY PROHIBITED WITHOUT WRITTEN PERMISSION

CKD BY: WAE
DATE: 11/04/08
REV: 04