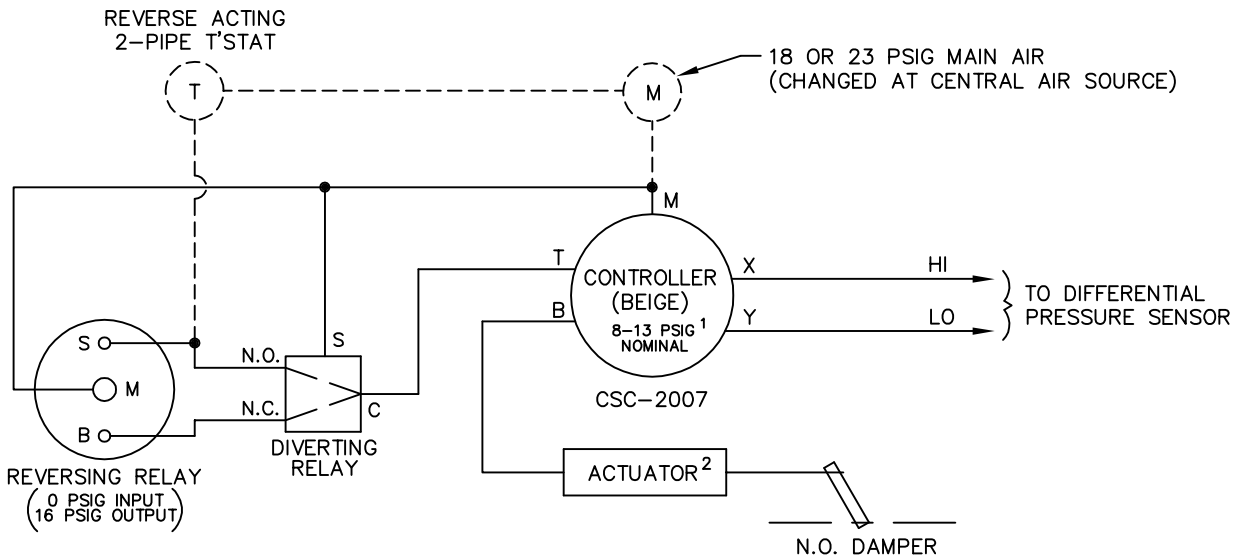
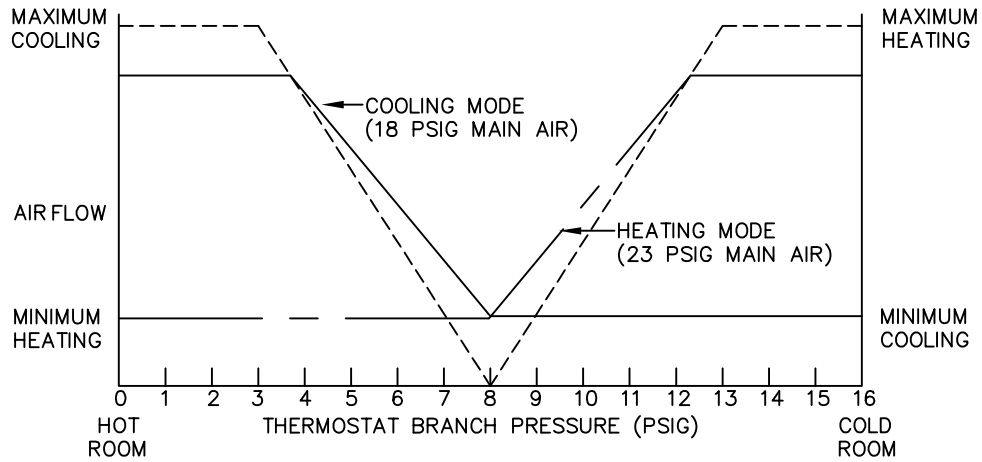


A reverse acting, two-pipe thermostat is required. Damper is normally open. With 18 PSIG main air pressure, variable volume control with cold supply air is achieved. On a rise in space temperature cold airflow is increased. On a drop in space temperature cold airflow is decreased. With 23 PSIG main air pressure, variable volume control with hot air supply is achieved. On a rise in space temperature hot airflow is decreased. On a drop in space temperature hot airflow is increased. Maximum and minimum CFM setpoints are field adjustable. Control of the cold or hot supply air is between these setpoints.



- 1 CONTROLLER REQUIRES FIELD CALIBRATION AND SET UP UNLESS OTHERWISE SPECIFIED. IF FACTORY CALIBRATION OPTION IS USED, THE RESET SPAN AND STARTPOINT WILL BE ADJUSTED AS SHOWN ABOVE UNLESS OTHERWISE SPECIFIED.
- 2 HOT WATER VALVE SUPPLIED BY OTHERS P.E. SWITCH IS INCLUDED IN ELECTRIC HEATER

- 3 UNIT SIZES 19 & 22 UTILIZE DUAL ROTARY PNEUMATIC DAMPER ACTUATORS.

———— FACTORY PIPING - - - - FIELD PIPING

PNEUMATIC AIR CONSUMPTION 1.1 SCFH

	TITLE: SD422R PRESSURE INDEPENDENT PNEUMATIC CONTROLS	DRN BY: AWW	DATE: 05/09/94	DRAWING NO. 16368
	THIS DRAWING CONTAINS PROPRIETARY DATA. UNAUTHORIZED DISCLOSURE, REPRODUCTION, OR USE IS STRICTLY PROHIBITED WITHOUT WRITTEN PERMISSION	CKD BY: WAE	DATE: 11/18/08	