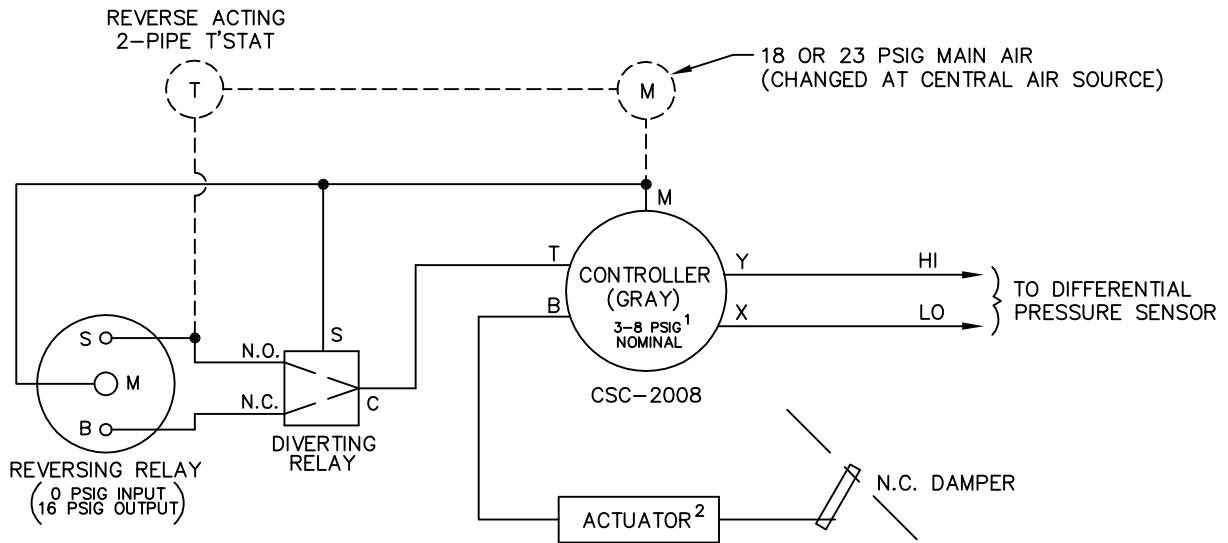
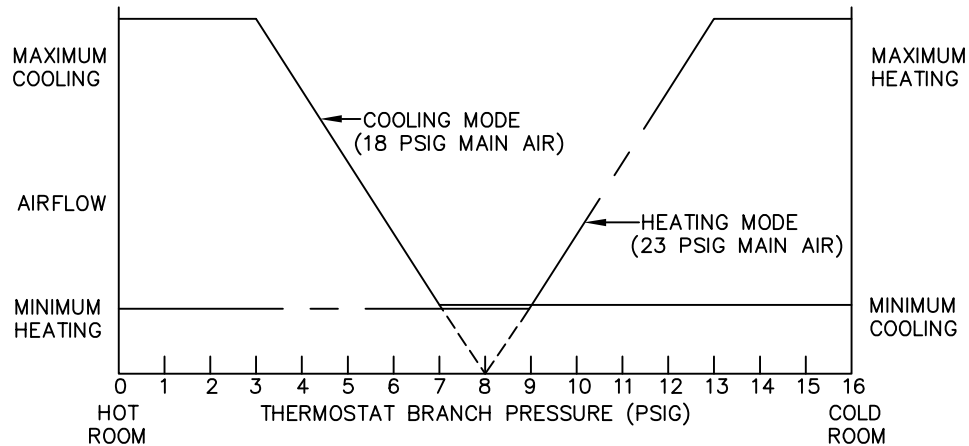


A reverse acting, two-pipe thermostat is required. Damper is normally closed. With 18 PSIG main air pressure, variable volume control with cold supply air is achieved. On a rise in space temperature cold airflow is increased. On a drop in space temperature cold airflow is decreased. With 23 PSIG main air pressure, variable volume control with hot air supply is achieved. On a rise in space temperature hot airflow is decreased. On a drop in space temperature hot airflow is increased. Maximum and minimum CFM setpoints are field adjustable. Control of the cold or hot supply air is between these setpoints.



<sup>1</sup> CONTROLLER REQUIRES FIELD CALIBRATION AND SET UP UNLESS OTHERWISE SPECIFIED. IF FACTORY CALIBRATION OPTION IS USED, THE RESET SPAN AND STARTPOINT WILL BE ADJUSTED AS SHOWN ABOVE UNLESS OTHERWISE SPECIFIED.

<sup>2</sup> HOT WATER VALVE SUPPLIED BY OTHERS  
P.E. SWITCH IS INCLUDED IN ELECTRIC HEATER

<sup>3</sup> UNIT SIZES 19 & 22 UTILIZE DUAL ROTARY PNEUMATIC DAMPER ACTUATORS.

—— FACTORY PIPING    - - - - FIELD PIPING

PNEUMATIC AIR CONSUMPTION 1.1 SCFH



<b>TITLE:</b>	<b>SD421R</b>
	<b>PRESSURE INDEPENDENT PNEUMATIC CONTROLS</b>
THIS DRAWING CONTAINS PROPRIETARY DATA. UNAUTHORIZED DISCLOSURE, REPRODUCTION, OR USE IS STRICTLY PROHIBITED WITHOUT WRITTEN PERMISSION	

<b>DRN BY:</b>	<b>DATE:</b>
AWW	05/09/94
<b>CKD BY:</b>	<b>DATE:</b>
WAE	11/04/08
<b>REV:</b>	
	07

<b>DRAWING NO.</b>
16367