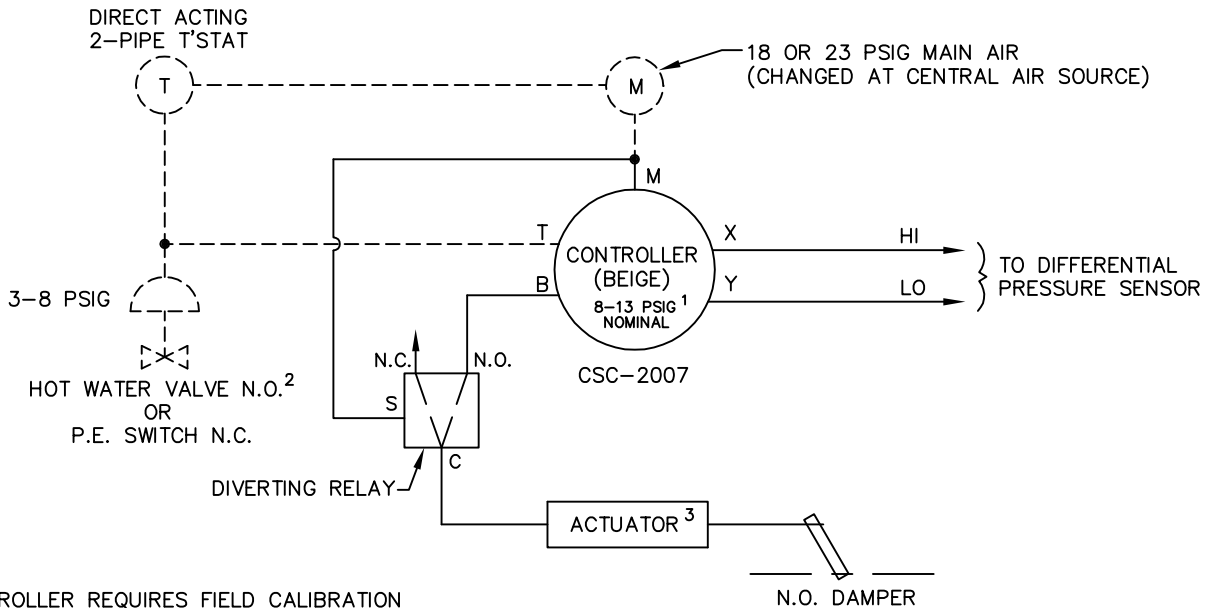
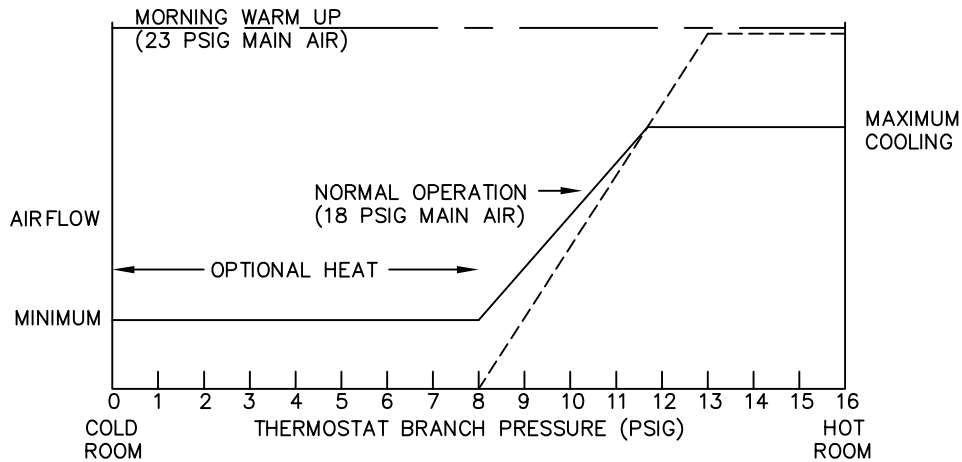


A direct acting, two-pipe thermostat is required. Damper is normally open. Optional reheat control will require a normally open hot water valve or a normally closed P.E. switch. With 18 PSIG main air pressure, normal variable volume control occurs. On a rise in space temperature, airflow is increased. On a drop in space temperature, airflow is decreased. Maximum and minimum CFM setpoints are field adjustable. Control of supply air to room is between these setpoints. If the space temperature continues to drop at minimum airflow, the thermostat will energize an optional electric heater or hot water valve to provide reheat. With 23 PSIG main air pressure, the damper modulates to the full open position to accomplish morning warm up.



¹ CONTROLLER REQUIRES FIELD CALIBRATION AND SET UP UNLESS OTHERWISE SPECIFIED. CONTROLLER RESET RANGE WILL VARY WITH AIR FLOW LIMITS.

² HOT WATER VALVE SUPPLIED BY OTHERS. P.E. SWITCH IS INCLUDED IN ELECTRIC HEATER.

³ UNIT SIZES 19 & 22 UTILIZE DUAL ROTARY PNEUMATIC DAMPER ACTUATORS.

— FACTORY PIPING - - - - FIELD PIPING

PNEUMATIC AIR CONSUMPTION 0.5 SCFH

	TITLE: SD412R PRESSURE INDEPENDENT PNEUMATIC CONTROLS	DRN BY: AWW	DATE: 05/09/94	DRAWING NO. 16358
	<small>THIS DRAWING CONTAINS PROPRIETARY DATA. UNAUTHORIZED DISCLOSURE, REPRODUCTION, OR USE IS STRICTLY PROHIBITED WITHOUT WRITTEN PERMISSION</small>	CKD BY: WAE	DATE: 08/19/08	

UNCONTROLLED WHEN PRINTED