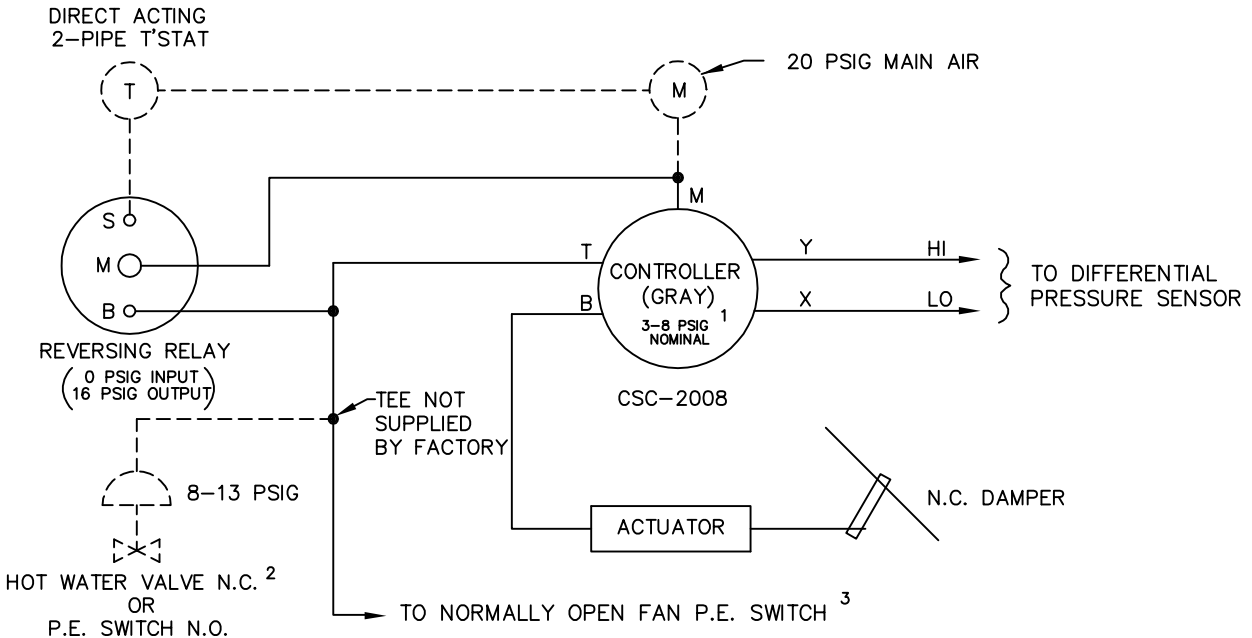
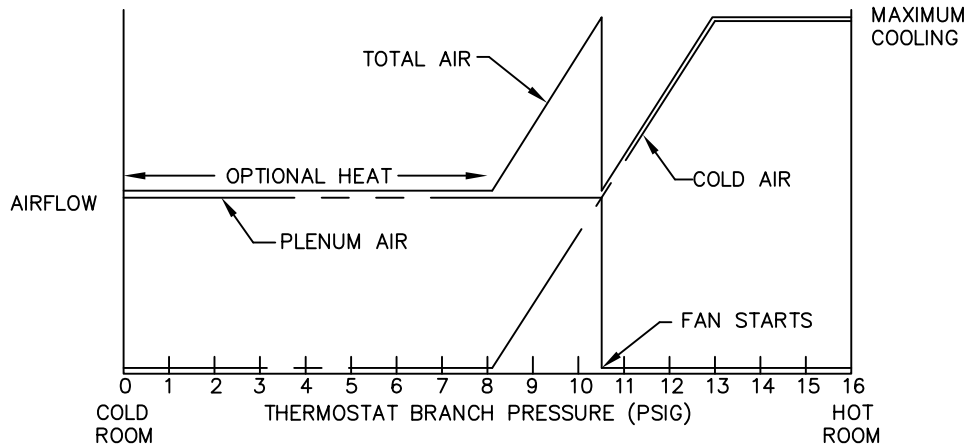


A direct acting, two-pipe thermostat is required. Damper is normally closed. Optional reheat control will require a normally closed hot water valve or a normally open P.E. switch. As the space temperature decreases, the primary air damper modulates from maximum CFM setpoint to shut-off. When the primary air has decreased to a field adjustable CFM, the unit fan is energized thus supplying cold air mixed with ceiling plenum air to the space. If the space temperature continues to drop when the unit is supplying plenum air only, an optional electric heater or hot water coil valve is energized to satisfy load.



¹ CONTROLLER REQUIRES FIELD CALIBRATION AND SETUP UNLESS OTHERWISE SPECIFIED. IF FACTORY CALIBRATION OPTION IS USED, THE RESET SPAN AND STARTPOINT WILL BE ADJUSTED AS SHOWN ABOVE UNLESS OTHERWISE SPECIFIED.

² HOT WATER VALVE SUPPLIED BY OTHERS P.E. SWITCH IS INCLUDED IN ELECTRIC HEATER

³ REFER TO MOTOR WIRING DIAGRAM OR ELECTRICAL HEAT DIAGRAM (IF APPLICABLE).

———FACTORY PIPING - - - - -FIELD PIPING

PNEUMATIC AIR CONSUMPTION 1.1 SCFH



TITLE: **FV403R**
PRESSURE INDEPENDENT PNEUMATIC CONTROLS

DRN BY: LARRY
DATE: 08/30/93

DRAWING NO.

CKD BY: WAE
DATE: 08/19/08
REV: 06

16485

THIS DRAWING CONTAINS PROPRIETARY DATA. UNAUTHORIZED DISCLOSURE, REPRODUCTION, OR USE IS STRICTLY PROHIBITED WITHOUT WRITTEN PERMISSION