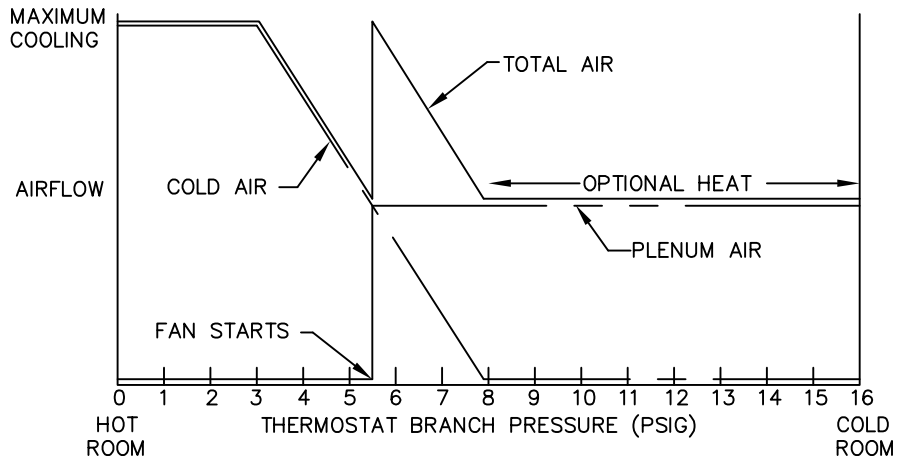
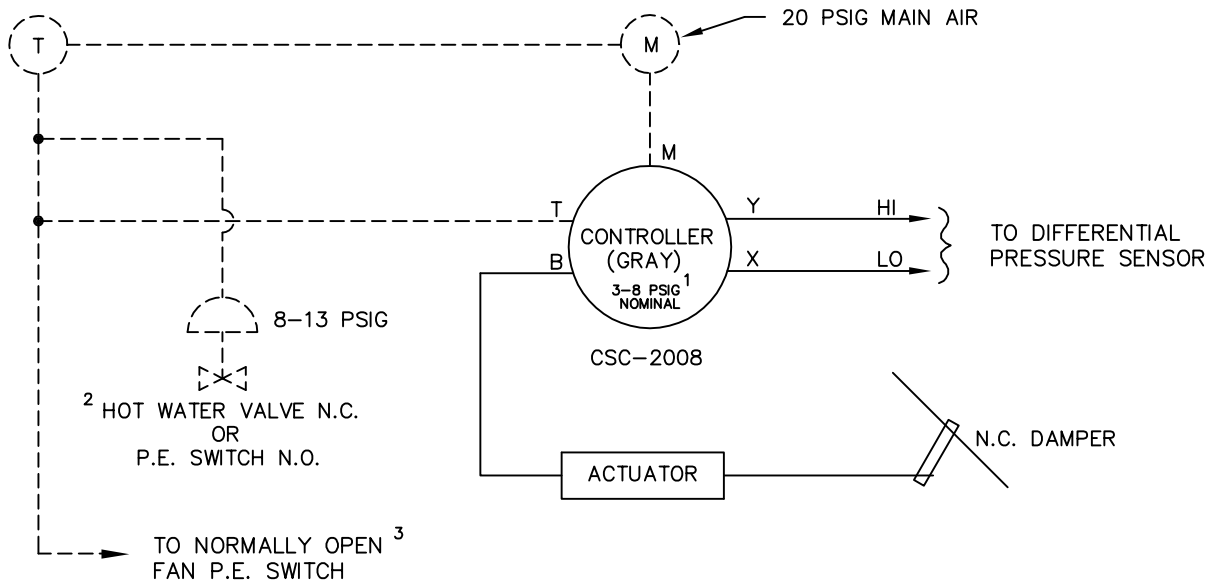


A reverse acting, two-pipe thermostat is required. Damper is normally closed. Optional reheat control will require a normally closed hot water valve or a normally open P.E. switch. As the space temperature decreases, the primary air damper modulates from maximum CFM setpoint to shut-off. When the primary air has decreased to a field adjustable CFM, the unit fan is energized thus supplying cold air mixed with ceiling plenum air to the space. If the space temperature continues to drop when the unit is supplying plenum air only, an optional electric heater or hot water coil is energized to satisfy load.



REVERSE ACTING  
2-PIPE T'STAT



<sup>1</sup> CONTROLLER REQUIRES FIELD CALIBRATION AND SET UP UNLESS OTHERWISE SPECIFIED. CONTROLLER RESET RANGE WILL VARY WITH AIR FLOW LIMITS.

<sup>3</sup> REFER TO MOTOR WIRING DIAGRAM OR ELECTRICAL HEAT DIAGRAM (IF APPLICABLE).

<sup>2</sup> HOT WATER VALVE SUPPLIED BY OTHERS  
P.E. SWITCH IS INCLUDED IN ELECTRIC HEATER

———FACTORY PIPING    - - - - -FIELD PIPING

PNEUMATIC AIR CONSUMPTION 0.5 SCFH



TITLE: **FV401R**  
PRESSURE INDEPENDENT PNEUMATIC CONTROLS

DRN BY: LARRY  
DATE: 08/30/93

DRAWING NO.

CKD BY: LAF  
DATE: 08/15/08  
REV: 06

16483

THIS DRAWING CONTAINS PROPRIETARY DATA. UNAUTHORIZED DISCLOSURE, REPRODUCTION, OR USE IS STRICTLY PROHIBITED WITHOUT WRITTEN PERMISSION