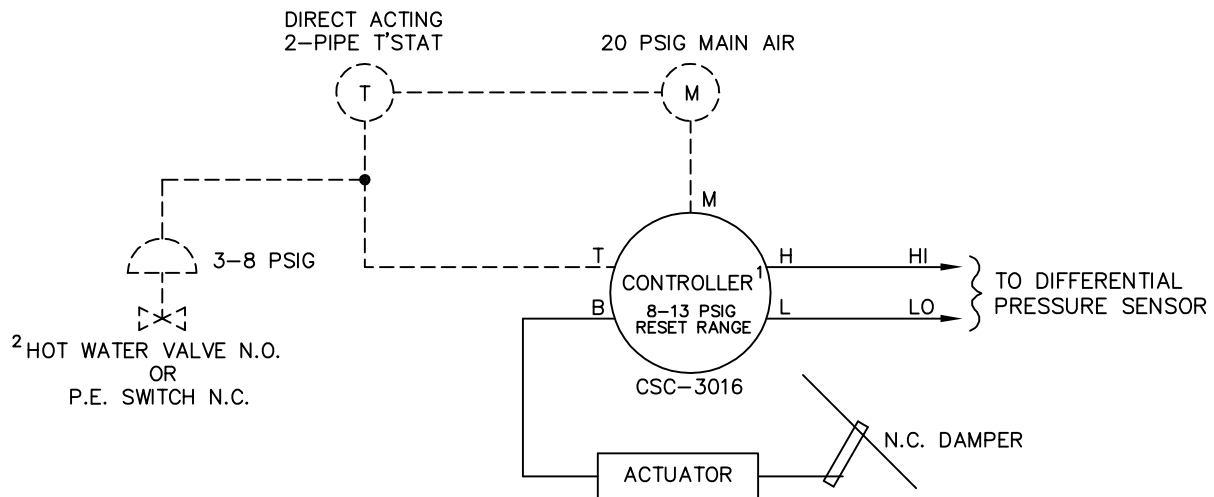
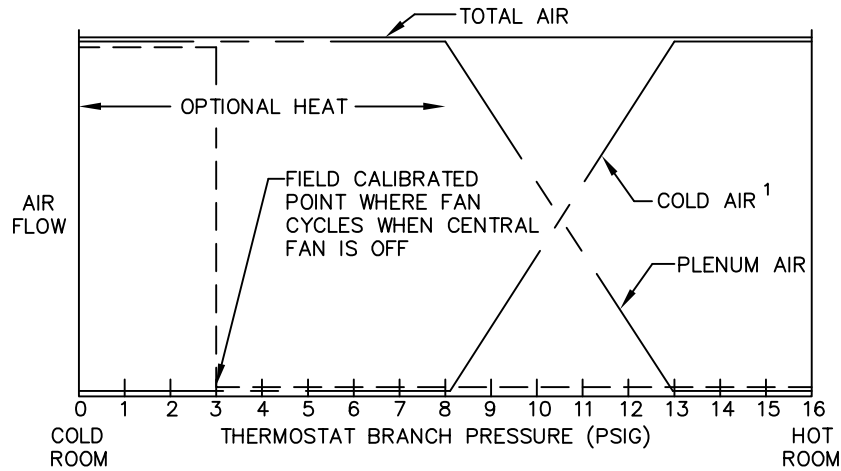


A direct acting, two-pipe thermostat is required. Damper is normally closed. Optional reheat control will require a normally open hot water valve or a normally closed P.E. switch. All air to room flows through the fan. The thermostat modulates the cold air damper. Unit fan draws air either from the cold duct or the ceiling plenum to maintain a desired room temperature. If warm plenum air fails to satisfy load, an optional electric heater or hot water coil valve is energized. A separate signal (by others) cycles the unit fan and heat for day/night operation. The controller can be calibrated to provide a constant reset range regardless of airflow limits.



1 CONTROLLER REQUIRES FIELD CALIBRATION AND SETUP UNLESS OTHERWISE SPECIFIED. IF FACTORY CALIBRATION OPTION IS USED, THE RESET SPAN AND STARTPOINT WILL BE ADJUSTED AS SHOWN ABOVE UNLESS OTHERWISE SPECIFIED.

2 HOT WATER VALVE SUPPLIED BY OTHERS

3 REFER TO MOTOR WIRING DIAGRAM OR ELECTRIC HEAT DIAGRAM (IF APPLICABLE).

— FACTORY PIPING - - - - FIELD PIPING - - - - FACTORY WIRING PNEUMATIC AIR CONSUMPTION 1.0 SCFH



TITLE:		FC411RC	
PRESSURE INDEPENDENT PNEUMATIC CONTROLS		THIS DRAWING CONTAINS PROPRIETARY DATA. UNAUTHORIZED DISCLOSURE, REPRODUCTION, OR USE IS STRICTLY PROHIBITED WITHOUT WRITTEN PERMISSION	

DRN BY: AWW	DATE: 04/04/96
CKD BY: WAE	DATE: 08/19/08
REV: 04	

DRAWING NO.
17829