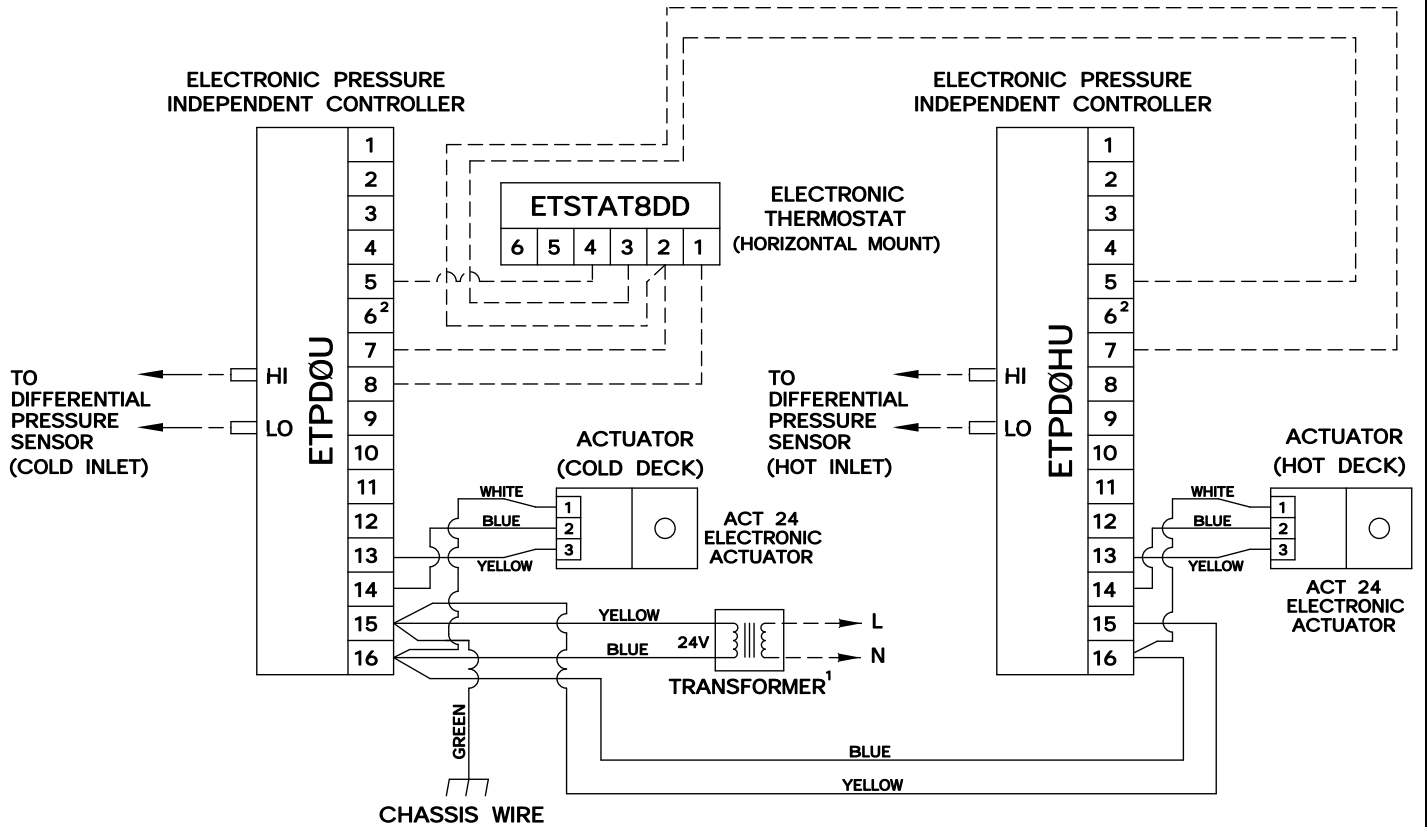
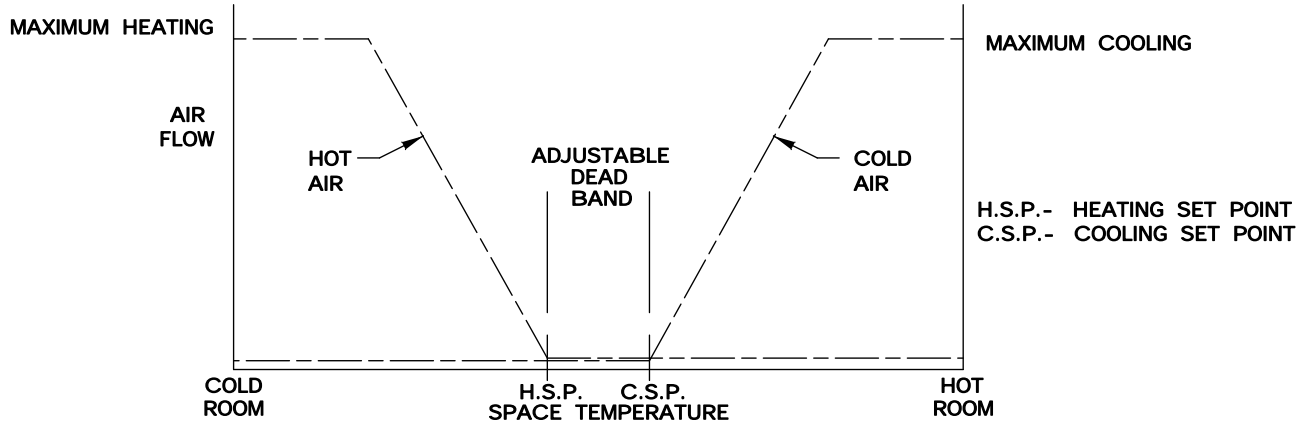


This sequence provides dual duct variable air volume control. When the space temperature is warm, the cold damper maintains maximum cooling airflow setpoint while the hot damper maintains minimum heating airflow setpoint. As the space temperature drops, the cold damper modulates closed. As the space temperature continues to fall below the heating setpoint, the hot damper will modulate open to its maximum heating airflow setpoint while the cold deck damper maintains minimum cooling airflow setpoint. Airflow limits for each deck are located on that deck's controller.



- FACTORY TUBING
- FIELD WIRING
- FACTORY WIRING

- ¹ MINIMUM 20 VA
- ² USED AS BALANCE POST TO SET MINIMUM AND MAXIMUM CFM.



DD702AB

PRESSURE INDEPENDENT

DRAWING NO:

ELECTRONIC CONTROLS

21072

DRAWN BY: WDD	DATE: 09/18/00	REV NO: 00	REV DATE:	APPROVED BY: W.E.
------------------	-------------------	---------------	-----------	----------------------